

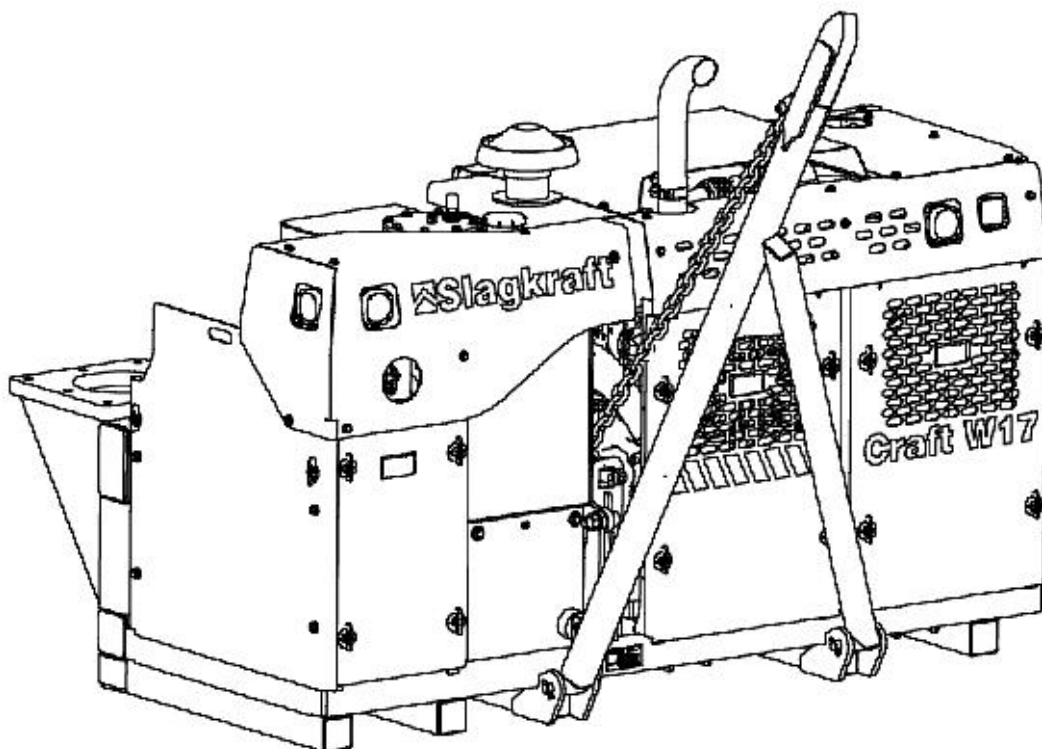


Reservdelskatalog

CRAFT W17

Spare parts

CRAFT W17



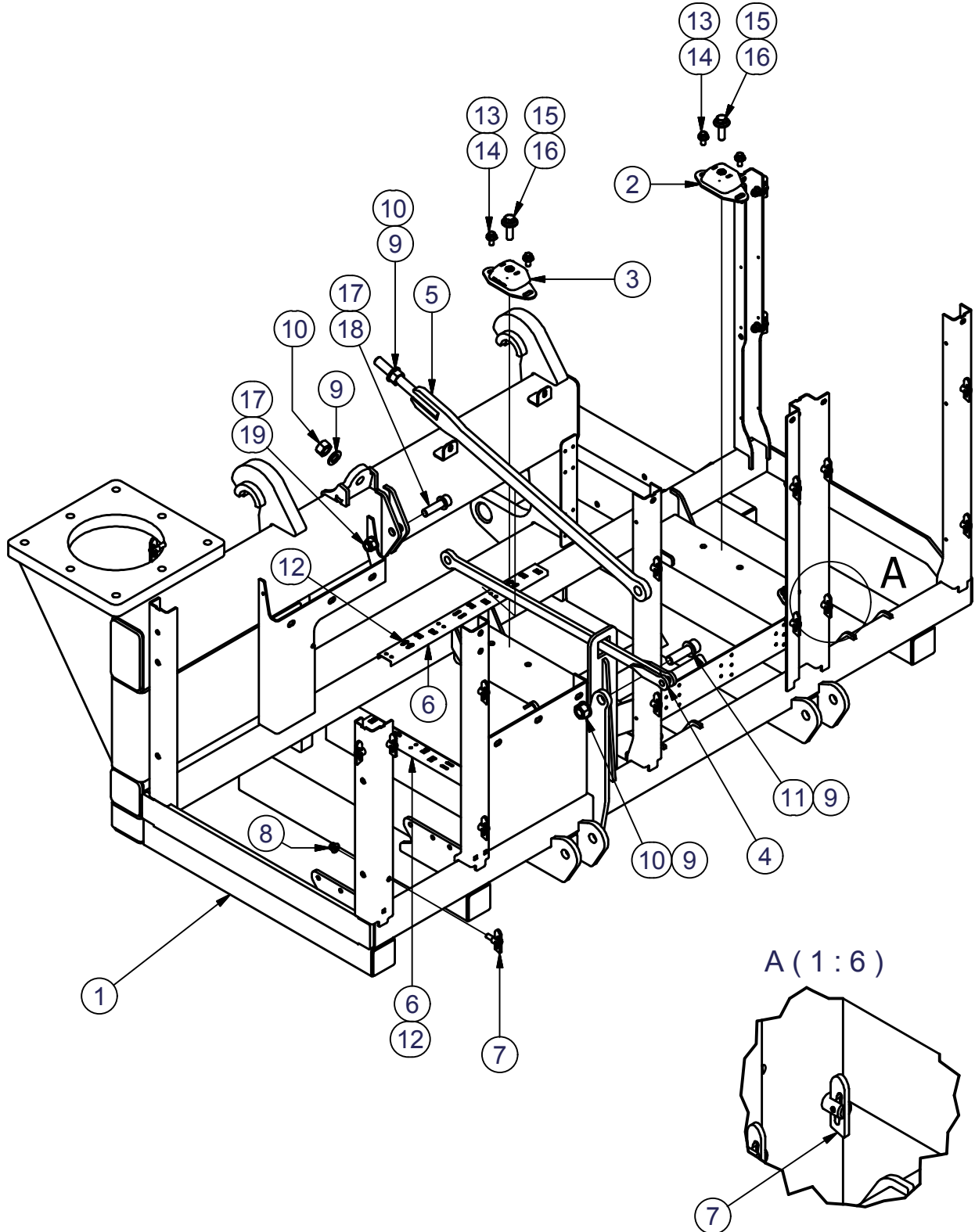
✉ **Cranab AB, SE-922 82 VINDELN, SWEDEN** ☎ **+46-(0)933-617 36**

Copyright ©. Alla rättigheter förbehålles, inklusive rätten att reproducera denna bok, eller delar därav, i vilken form som helst, utan skriftligt medgivande från Cranab AB.

Copyright © All rights reserved, including the right to reproduce this manual, or parts thereof, in any form whatsoever without the written consent of Cranab AB.

MOTORRAM KPL.

ENGINE FRAME



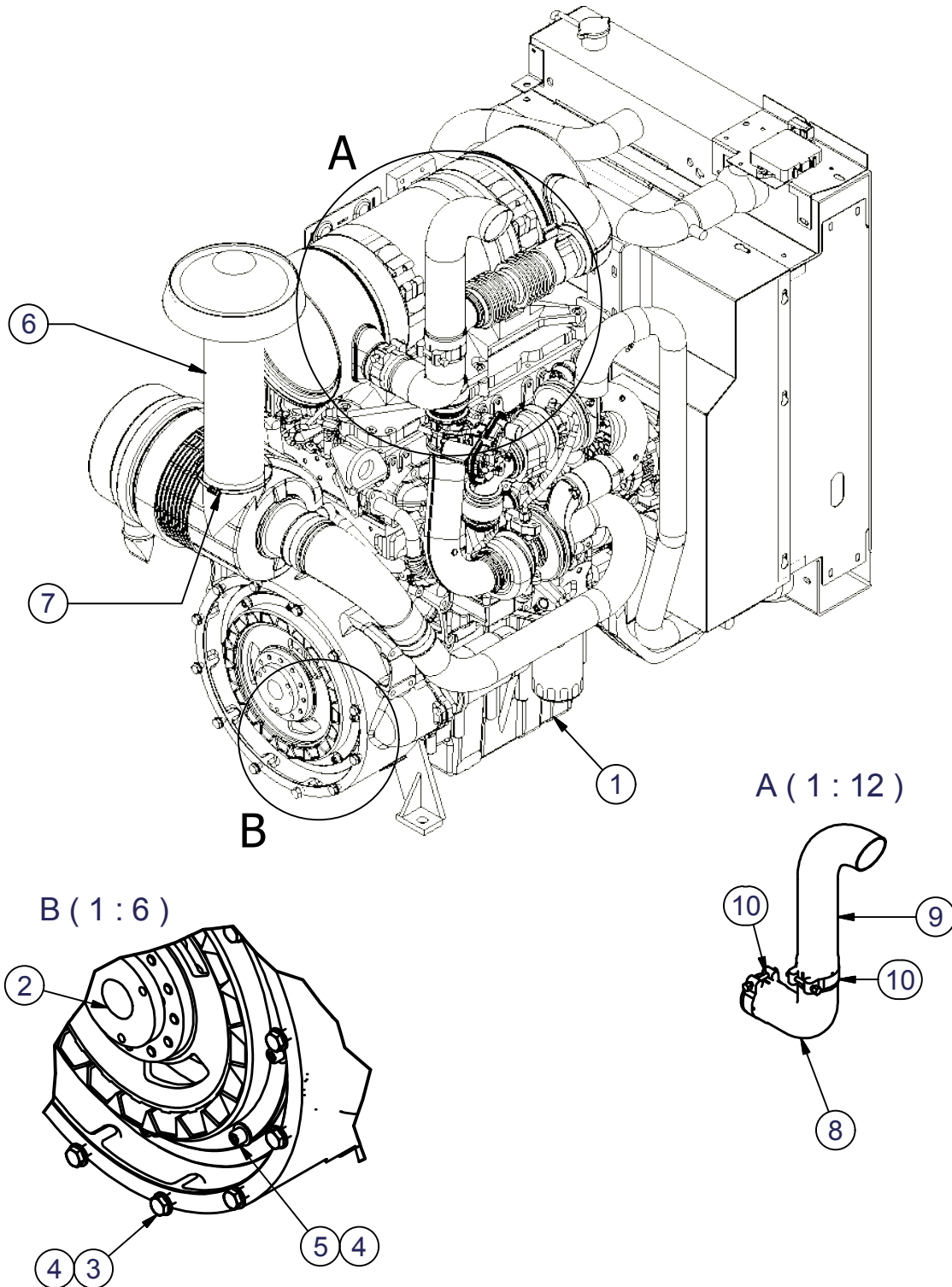
Pos Fig	Ant Qty	Benämning	Description	Dimension	Art. nr Part. nr
------------	------------	-----------	-------------	-----------	---------------------

MOTORRAM KPL.**ENGINE FRAME**

1	1	MOTORRAM	ENGINE FRAME	CRAFT W17	5018410
2	2	MOTORKUDDE	ENGINE PAD	55 SHORE	5018215
3	2	MOTORKUDDE	ENGINE PAD	65 SHORE	5018216
4	1	DRAGSTÅNG	TENSION ROD		5018280
5	1	STRÄV	STAY		5018284
6	2	MONTERINGSPROFIL	PROFILE	50x14x600	5018405
7	16	SPÄRRTAPP	LOCK PIN		5018228
8	16	MUTTER	LOCK NUT	LÅSMF 8 M12	1060769
9	4	BRICKA	WASHER	SBRB 25x44x4	1060368
10	3	MUTTER	NUT	M6M 8 M24	1046531
11	1	SKRUV	SCREW	MC6S 12.9 M24x80	1043181
12	8	SKRUV	SCREW	MF6S 8.8 M6x12	1043186
13	8	BRICKA	NORD-LOCK WASHER	NL 13,5x25x3,4	1046440
14	8	SKRUV	SCREW	M6SF 8.8 M12x25	1060442
15	4	BRICKA	WASHER	TBRBS 17x42x8	1040853
16	4	SKRUV	SCREW	M6S 8.8 M16x60	76-955368
17	2	BRICKA	WASHER	BRB 21x36x3	1060726
18	1	SKRUV	SCREW	MC6S 12.9 M20x70	1042577
19	1	MUTTER	LOCK NUT	LÅSMH 8 M20	1060725
Pos Fig	Ant Qty	Benämning	Description	Dimension	Art. nr Part. nr

DIESELMOTOR KPL.

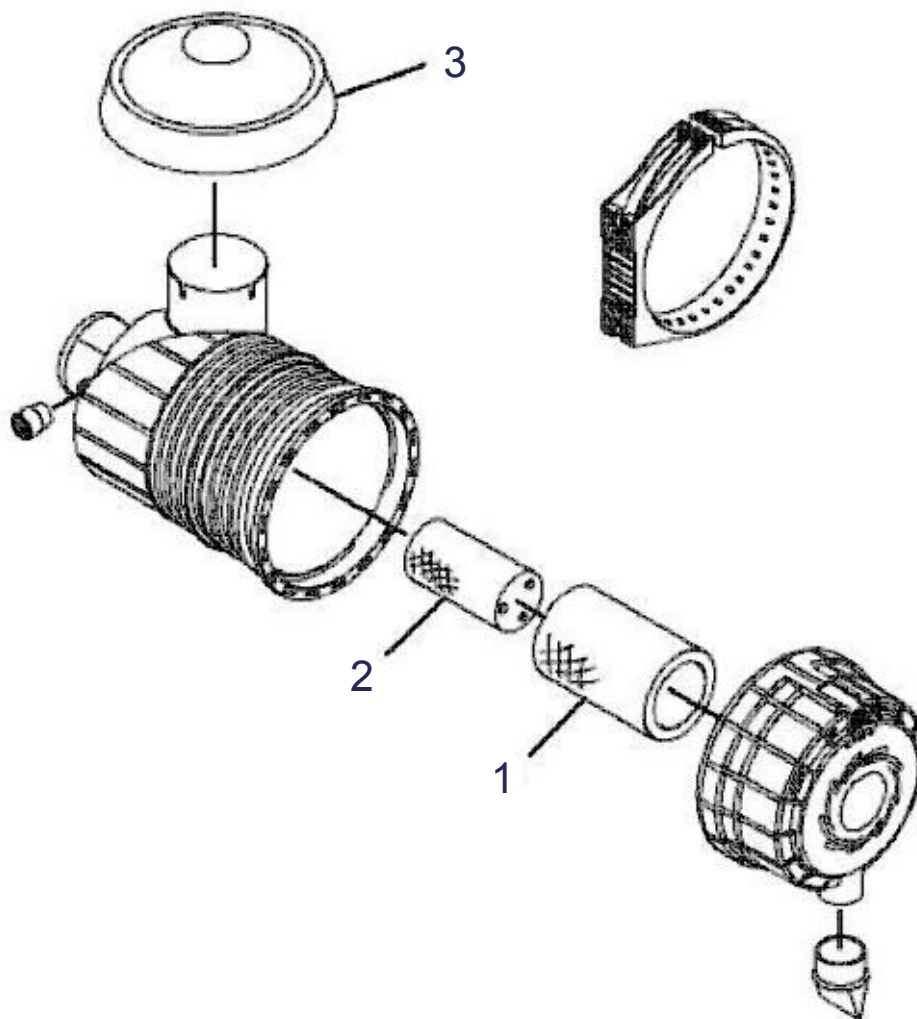
DIESEL ENGINE



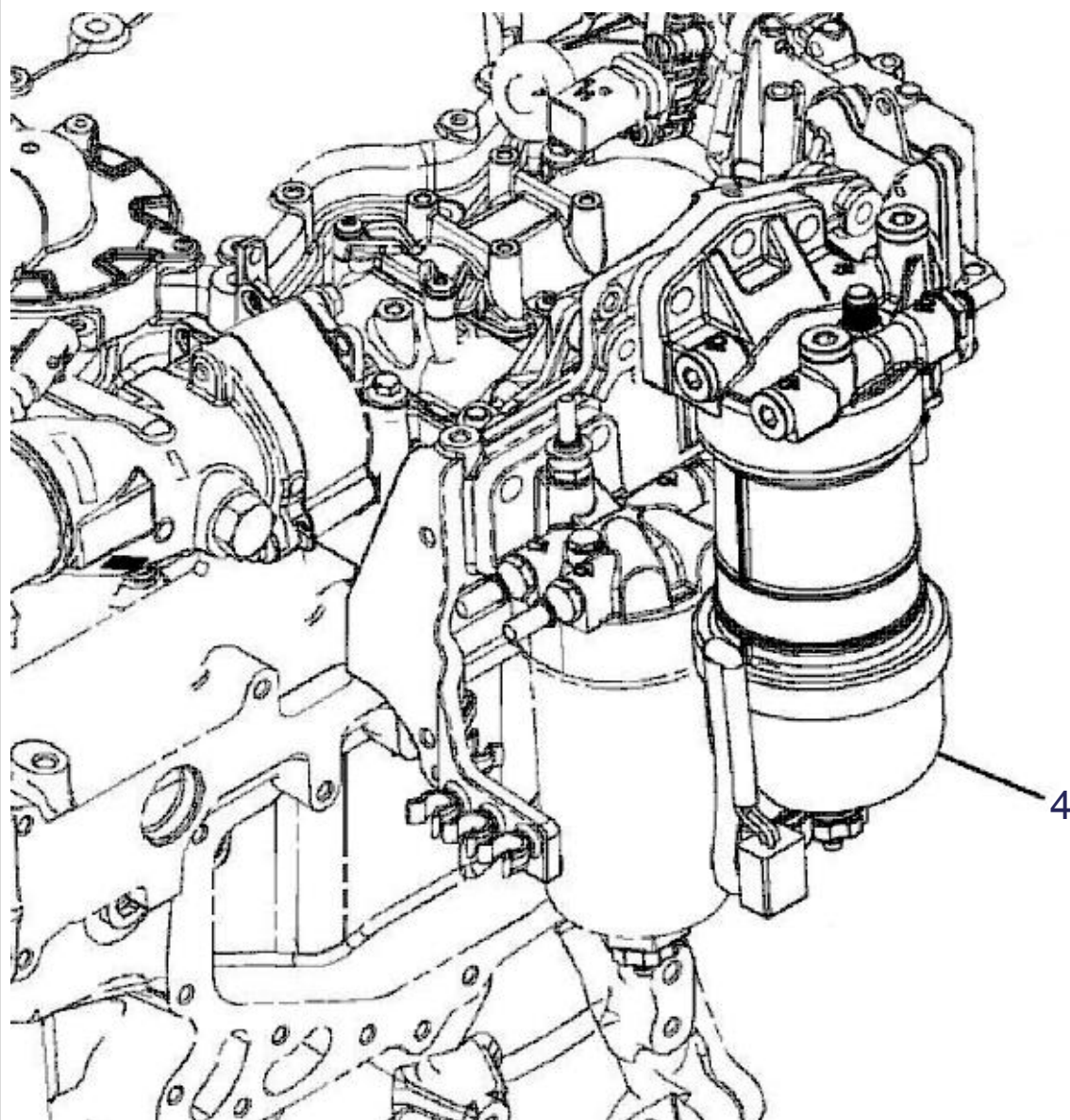
Pos Fig	Ant Qty	Benämning	Description	Dimension	Art. nr Part. nr
------------	------------	-----------	-------------	-----------	---------------------

DIESELMOTOR KPL.**DIESEL ENGINE**

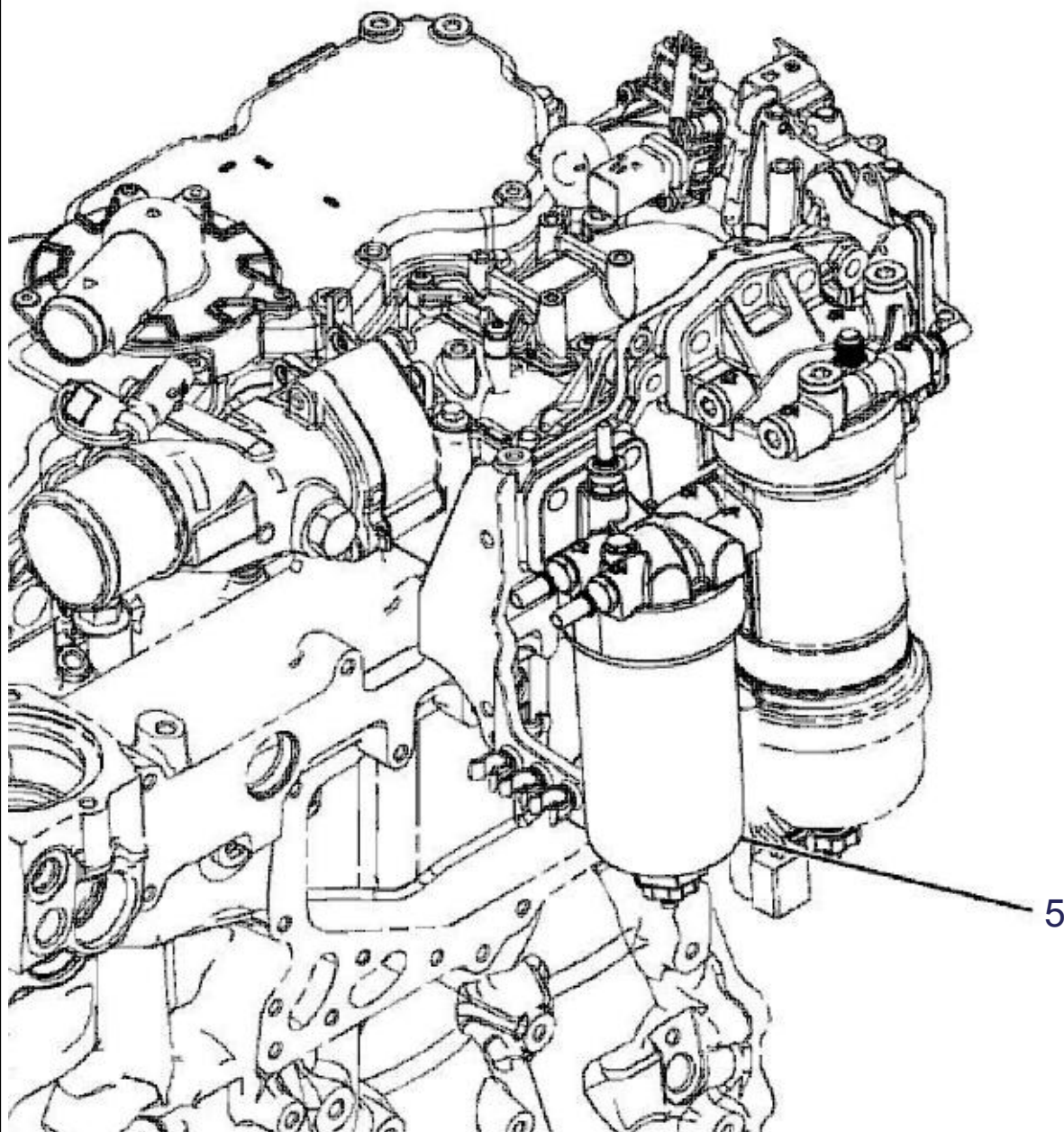
1	1	DIESELMOTOR CAT	ENGINE		5018199
2	1	KOPPLINGSSATS	FLYWHEEL CLUTCH KIT		5018198
3	12	SKRUV	SCREW	M6S 8.8 M10x30	1060705
4	20	BRICKA	WASHER	BRB 11x22x2	1043116
5	8	SKRUV	SCREW	UC6S12.9 UNF3/8-1.25	5018373
6	1	FÖRLÄNGARE	EXTENDER		5018274
7	1	SLANGKLAMMER	CLAMP	ABA 110-136	1060945
8	1	AVGASBÖJ 3"	ELBOW		5018271
9	1	AVGASUTBLÄS 3"	TAIL PIPE		5018272
10	2	KLAMMER	CLAMP	73-79MM	5018354
*	20	GLYKOL	GLYCOL		F03315
Pos Fig	Ant Qty	Benämning	Description	Dimension	Art. nr Part. nr

DIESELMOTOR CAT**ENGINE**

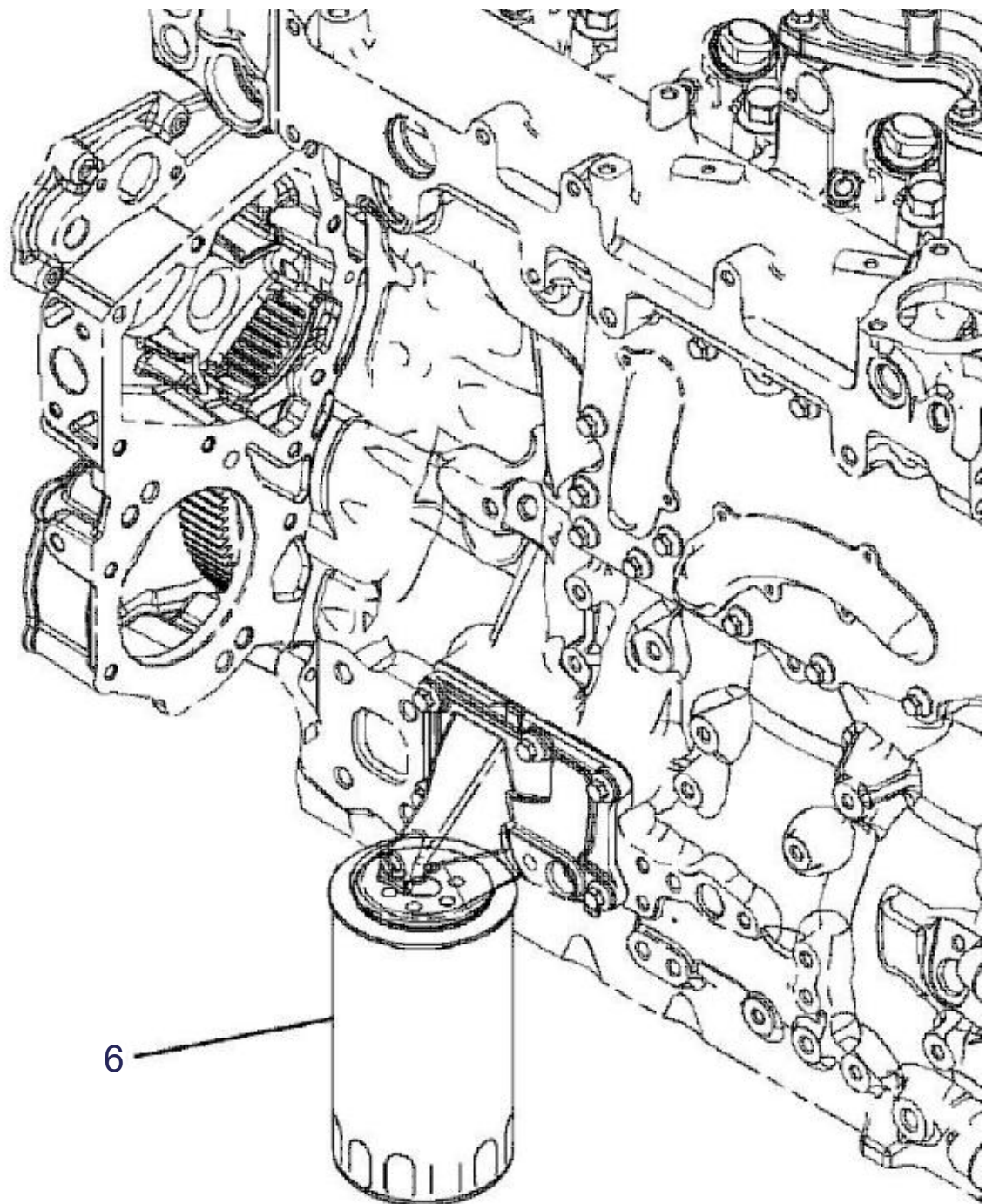
Pos Fig	Ant Qty	Benämning	Description	Dimension	Art. nr Part. nr
------------	------------	-----------	-------------	-----------	---------------------

DIESELMOTOR CAT**ENGINE**

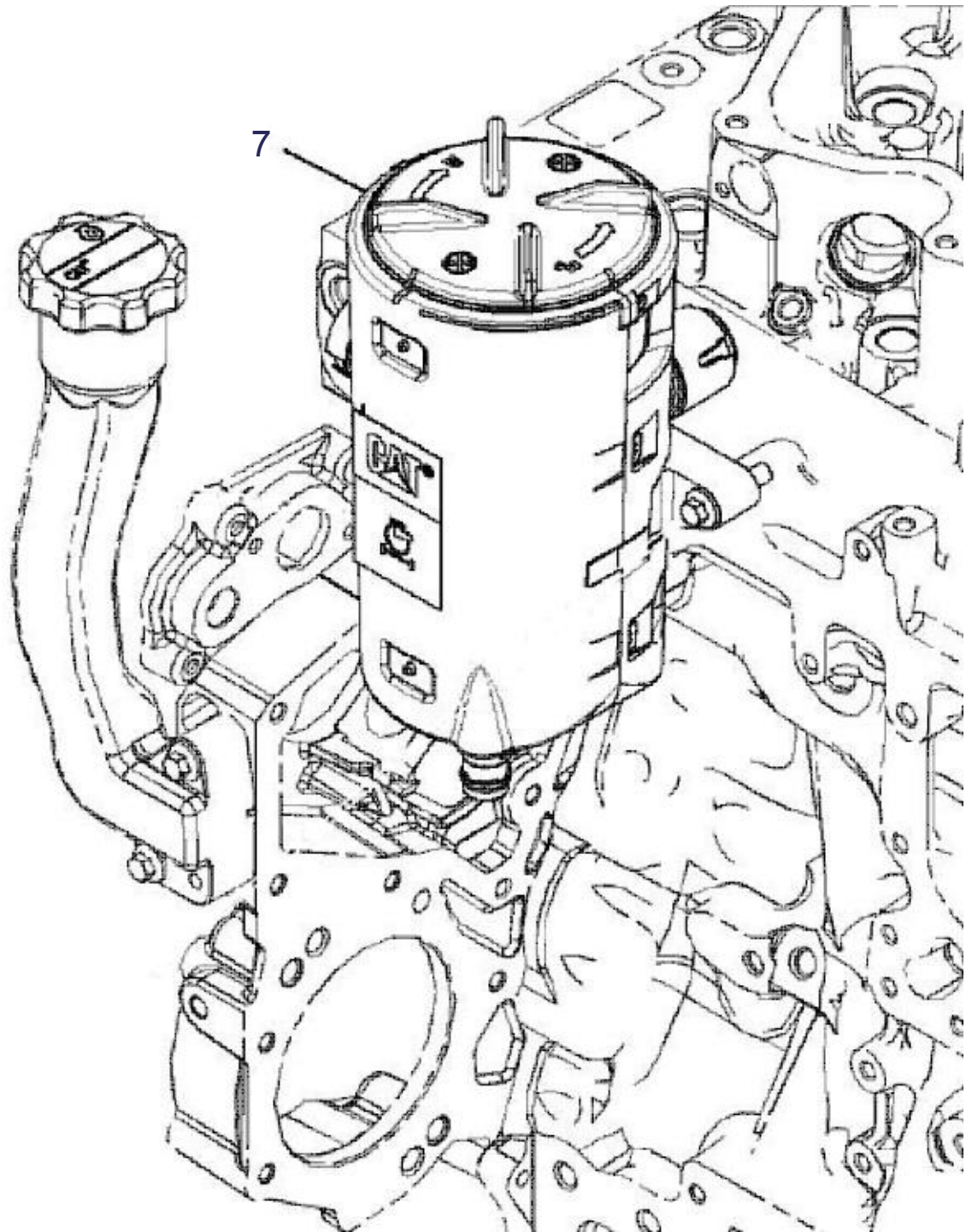
Pos Fig	Ant Qty	Benämning	Description	Dimension	Art. nr Part. nr
------------	------------	-----------	-------------	-----------	---------------------

**DIESELMOTOR CAT
ENGINE**

Pos Fig	Ant Qty	Benämning	Description	Dimension	Art. nr Part. nr
------------	------------	-----------	-------------	-----------	---------------------

DIESELMOTOR CAT**ENGINE**

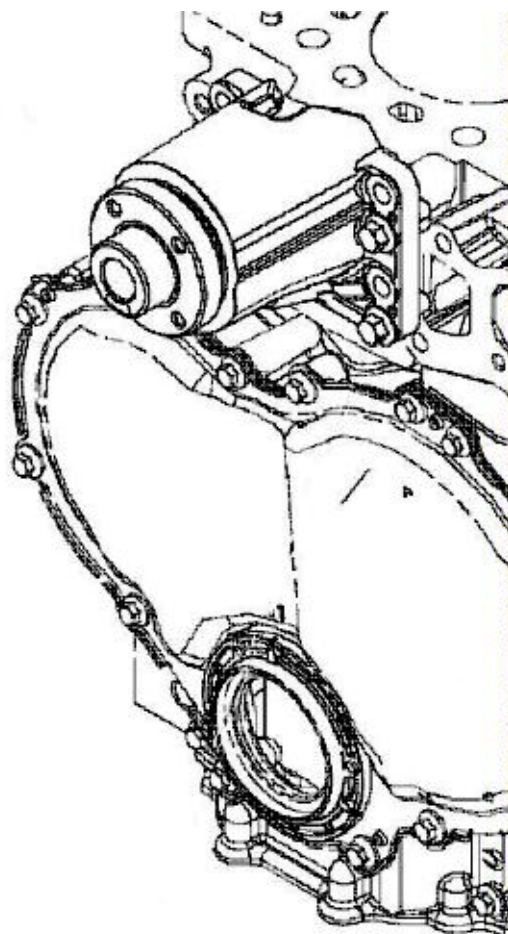
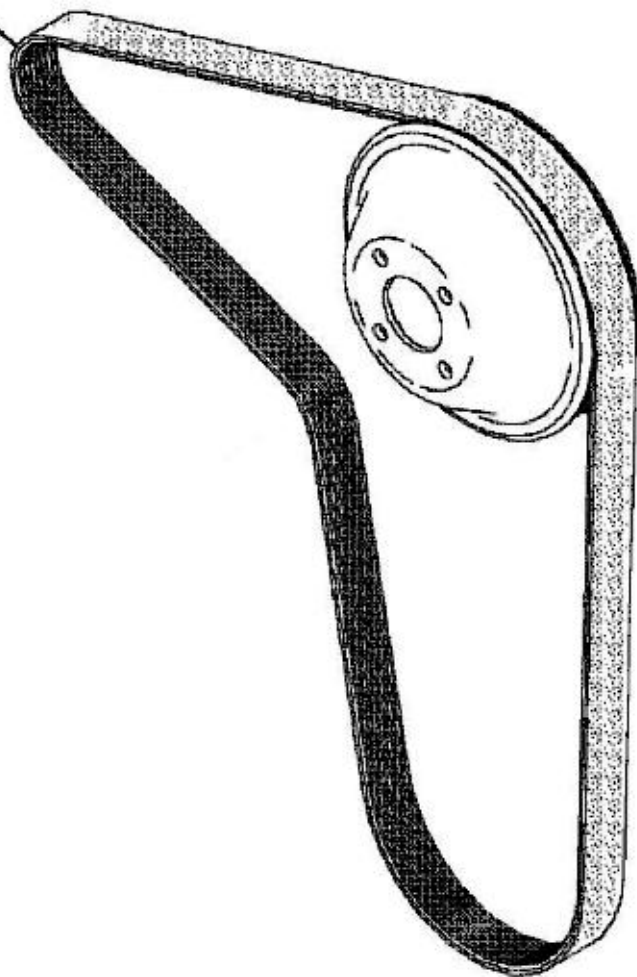
Pos Fig	Ant Qty	Benämning	Description	Dimension	Art. nr Part. nr
------------	------------	-----------	-------------	-----------	---------------------

DIESELMOTOR CAT**ENGINE**

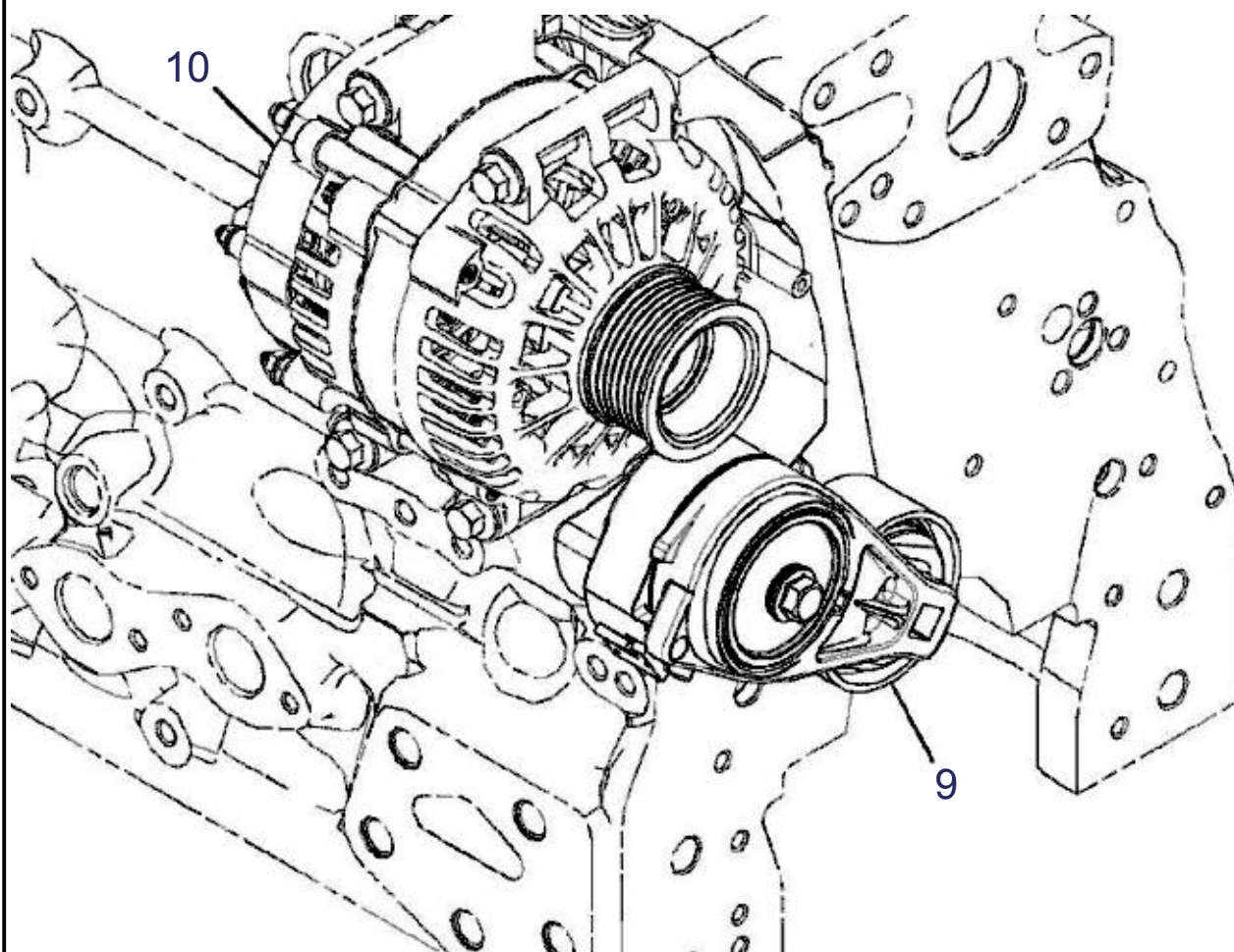
Pos Fig	Ant Qty	Benämning	Description	Dimension	Art. nr Part. nr
------------	------------	-----------	-------------	-----------	---------------------

DIESELMOTOR CAT**ENGINE**

8



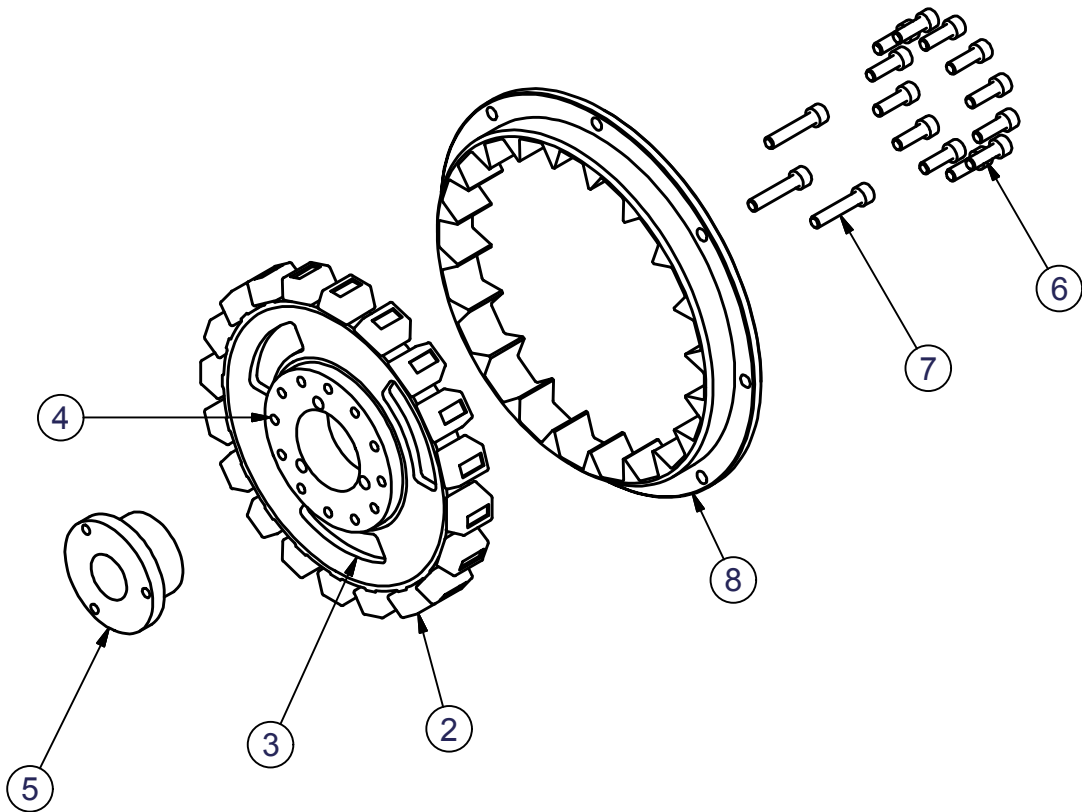
Pos Fig	Ant Qty	Benämning	Description	Dimension	Art. nr Part. nr
------------	------------	-----------	-------------	-----------	---------------------

**DIESELMOTOR CAT
ENGINE**

Pos Fig	Ant Qty	Benämning	Description	Dimension	Art. nr Part. nr
------------	------------	-----------	-------------	-----------	---------------------

**DIESELMOTOR CAT
ENGINE**

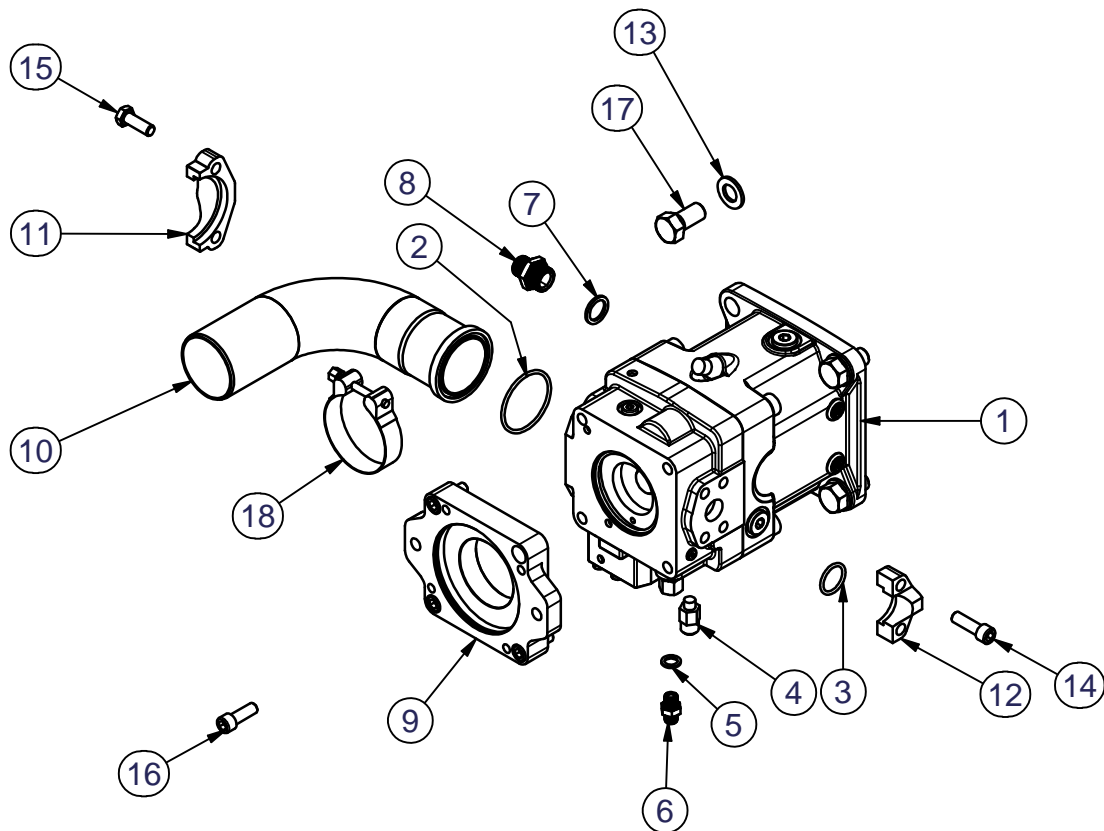
1	1	FILTER	FILTER ELEMENT	AIR PRIMARY	5018472
2	1	FILTER	FILTER ELEMENT	AIR SECONDARY	5018473
3	1	REGNSKYDD	CAP	AIR CLEANER	5018479
4	1	FILTER	FILTER ELEMENT	WATER SEPARATOR	5018474
5	1	FILTER	FILTER ELEMENT	FUEL	5018475
6	1	FILTER	FILTER	ENGINE OIL	5018480
7	1	FILTERSATS	FILTER KIT	FUMES DISPOSAL	5018478
8	1	FLÄKTREM	BELT	SERPENTINE	5018483
9	1	REM STRÄCKARE	BELT TENSIONER		5018484
10	1	GENERATOR	ALTERNATOR	24V, 70A	5018482
*	1	FILTERSATS MOTOR	FITER KIT ENGINE	incl 1,2,4,5,6	5018485
*	10	OLJA	OIL	CAT DEO 15W-40	F03310
Pos Fig	Ant Qty	Benämning	Description	Dimension	Art. nr Part. nr

SVÄNGHJUL KOPPLINGSSATS**FLYWHEEL CLUTCH KIT**

Pos Fig	Ant Qty	Benämning	Description	Dimension	Art. nr Part. nr
------------	------------	-----------	-------------	-----------	---------------------

SVÄNGHJUL KOPPLINGSSATS**FLYWHEEL CLUTCH KIT**

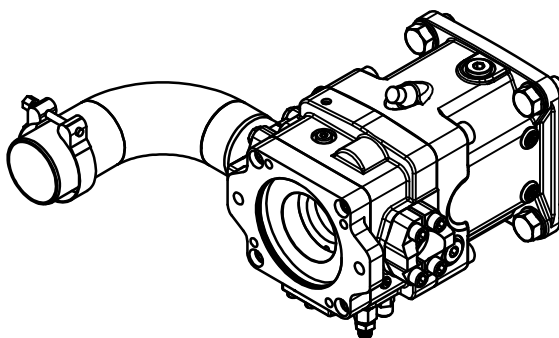
2	20	GUMMIKUDDE	RUBBER PAD		1041333
3	1	SPINDEL 11,5"	SPIDER 11,5"		1041332
4	1	SPINDELNAV	SPIDERHUB	CAT	TF104995
5	1	NAV	HUB	DIN5480-W40	1041335
6	12	SKRUV	SCREW	MC6S 8.8 M10x30	1042694
7	3	SKRUV	SCREW	MC6S 8.8 M10x50	1061048
8	1	DRIVRING 11,5"	COUPLING 11,5"		1041331
Pos Fig	Ant Qty	Benämning	Description	Dimension	Art. nr Part. nr

AGGREGATPUMPSATS
FLAIL PUMP KIT


Pos Fig	Ant Qty	Benämning	Description	Dimension	Art. nr Part. nr
------------	------------	-----------	-------------	-----------	---------------------

AGGREGATPUMPSATS

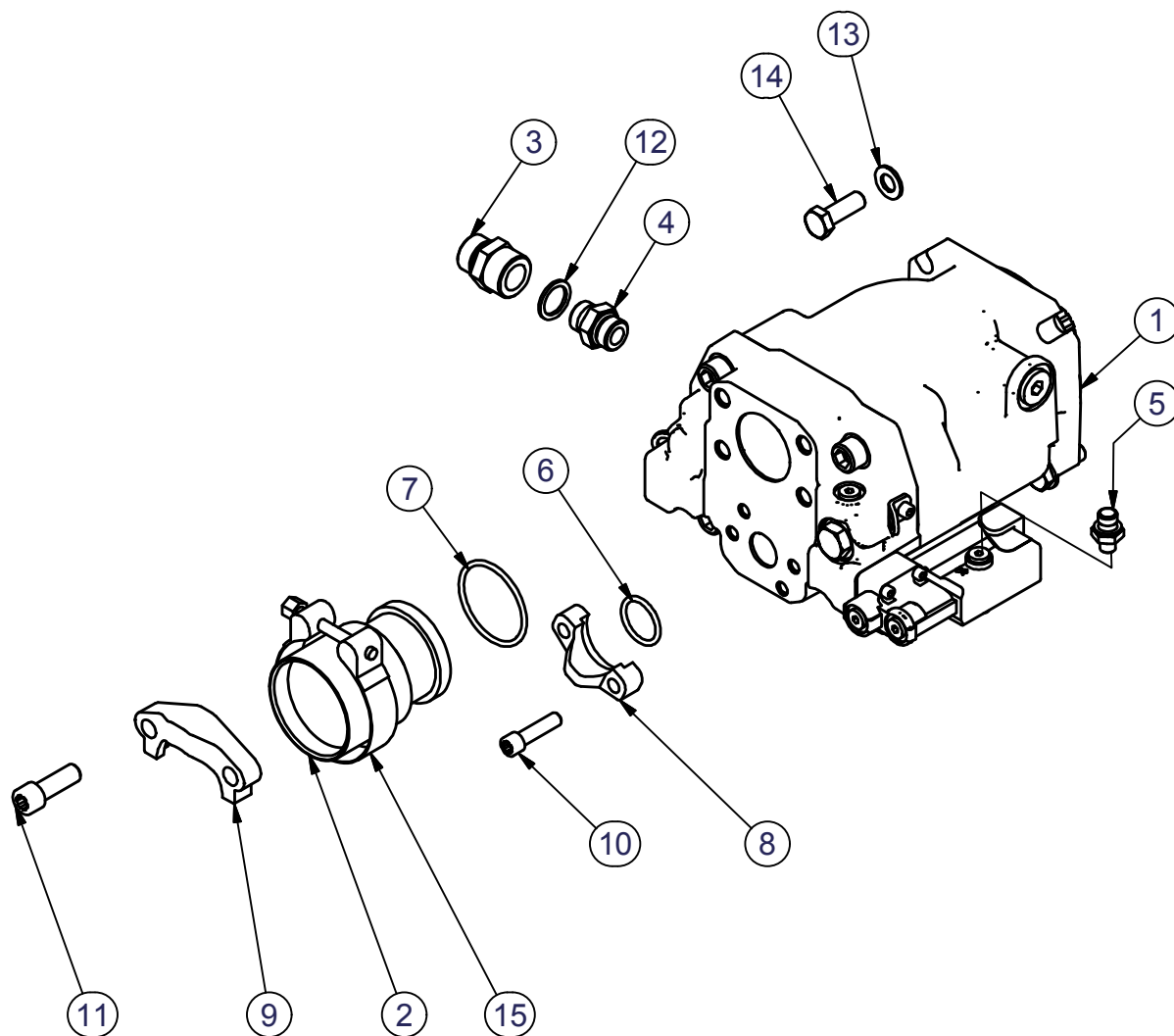
FLAIL PUMP KIT



1	1	Pump Rexroth A11VO75	Pump Rexroth A11VO75		1041375
2	1	O-RING	O-RING	69,44x3,53	1039510
3	1	O-RING	O-RING	32,93x3,53	1038066
4	1	MÄTUTTAG	MEASURING NIPPLE	M12	1041581
5	1	BRICKA	TREDO SEAL	GSTB 1/4	1039494
6	1	ADAPTER	ADAPTER	1/4"G-M14x1.5	1041813
7	1	BRICKA	TREDO SEAL	GSTB 5/8	1038231
8	1	ADAPTER	ADAPTER	3/4"G-M22x1.5	1041714
9	1	KRAFTUTTAG	POWER TAKE OFF	SAE-C	5015507
10	1	SUGANSLUTNING	SUCTION LINE	W-Serie	5018535
11	2	FLÄNSHALVA	FLANGE	2.1/2"SAE	1039916
12	2	FLÄNSHALVA	FLANGE	1"SAE	1039932
13	4	BRICKA	WASHER	BRB 20x36x3	1048198
14	4	SKRUV	SCREW	MC6S 12.9 M12x40	1060700
15	4	SKRUV	SCREW	M6S 8.8 M12x35	1060425
16	4	SKRUV	SCREW	MC6S 12.9 M12x35	1060939
17	4	SKRUV	SCREW	U6C 8.8 UNC 3/4-38 FZB	5018374
18	1	KLAMMER	CLAMP	83-91MM	5018275
Pos Fig	Ant Qty	Benämning	Description	Dimension	Art. nr Part. nr

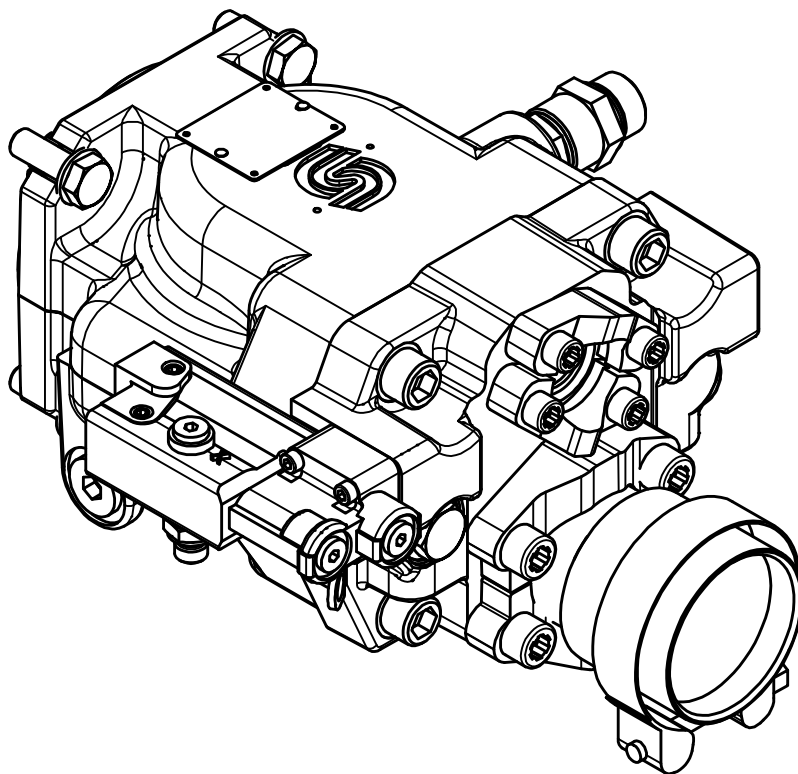
KRANPUMPSATS

BOOM PUMP



KRANPUMPSATS

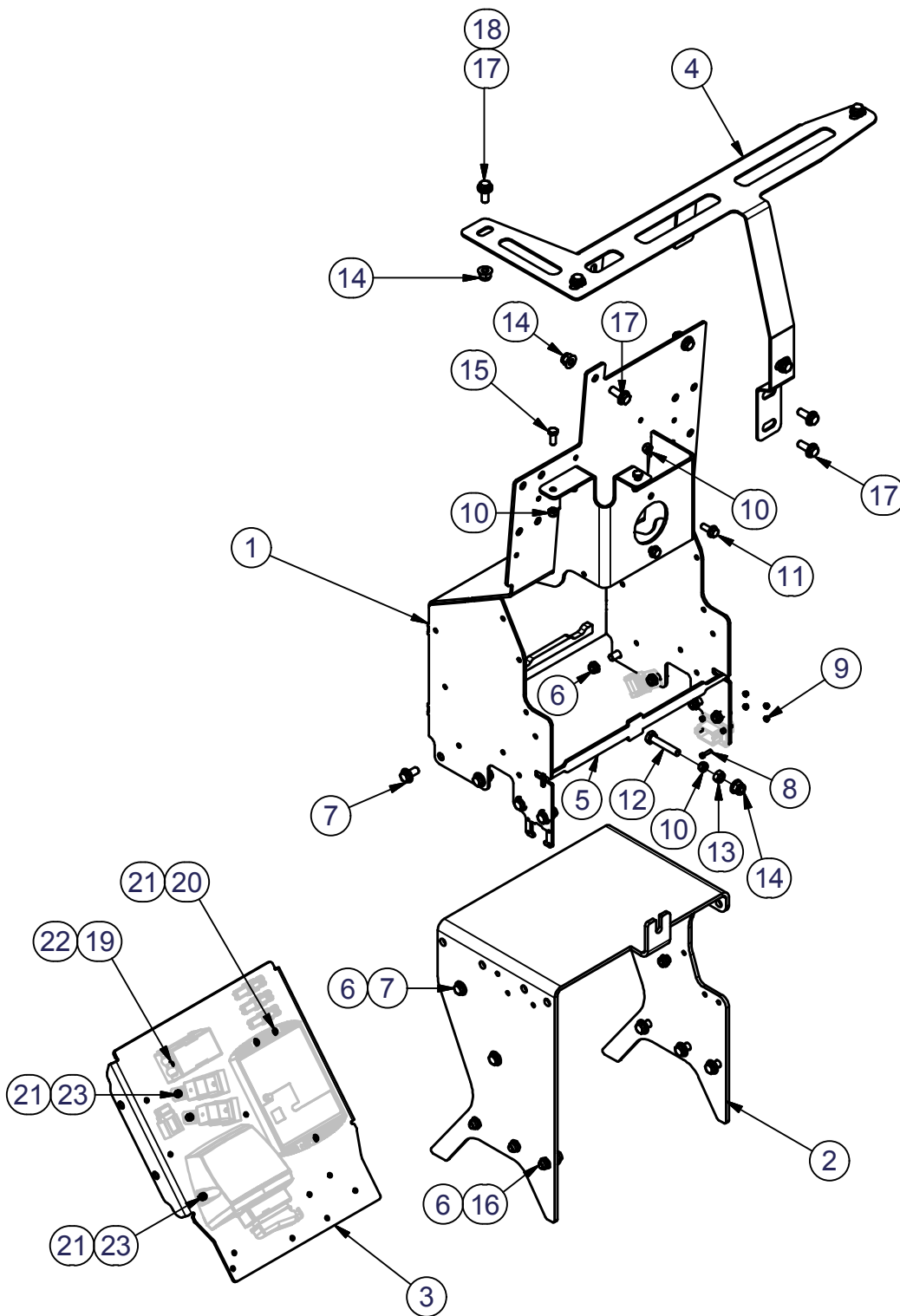
BOOM PUMP



1	1	PUMP A11	PUMP A11		1049374
2	1	SUGANSLUTNING	SUCTION	2" 3000psi	5015530
3	1	ADAPTER	ADAPTER	3/4"G-1/2"RF	1039742
4	1	ADAPTER	ADAPTER	7/8"U-1/2"G	4710050
5	1	ADAPTER	ADAPTER	7/16"U-1/4"G	4710052
6	1	O-RING	O-RING	32,93x3,53	1038066
7	1	O-RING	O-RING	56,75x3,53	1039528
8	2	FLÄNSHALVA	FLANGE	1"SAE	1039874
9	2	FLÄNSHALVA	FLANGE	2"SAE	1039908
10	4	SKRUV	SCREW	UC6S 12.9 UNC 3/8-1,5	1038090
11	4	SKRUV	SCREW	UC6S 12.9 UNC 1/2-1,5	1038116
12	1	BRICKA	TREDO SEAL	GSTB 1/2	1001957
13	4	BRICKA	WASHER	BRB 13x24x2	1060378
14	4	SKRUV	SCREW	M6S 8.8 M12x35	1060425
15	1	KLAMMER	CLAMP	83-91MM	5018275
Pos Fig	Ant Qty	Benämning	Description	Dimension	Art. nr Part. nr

ELSKÅP KPL.

EL BOX



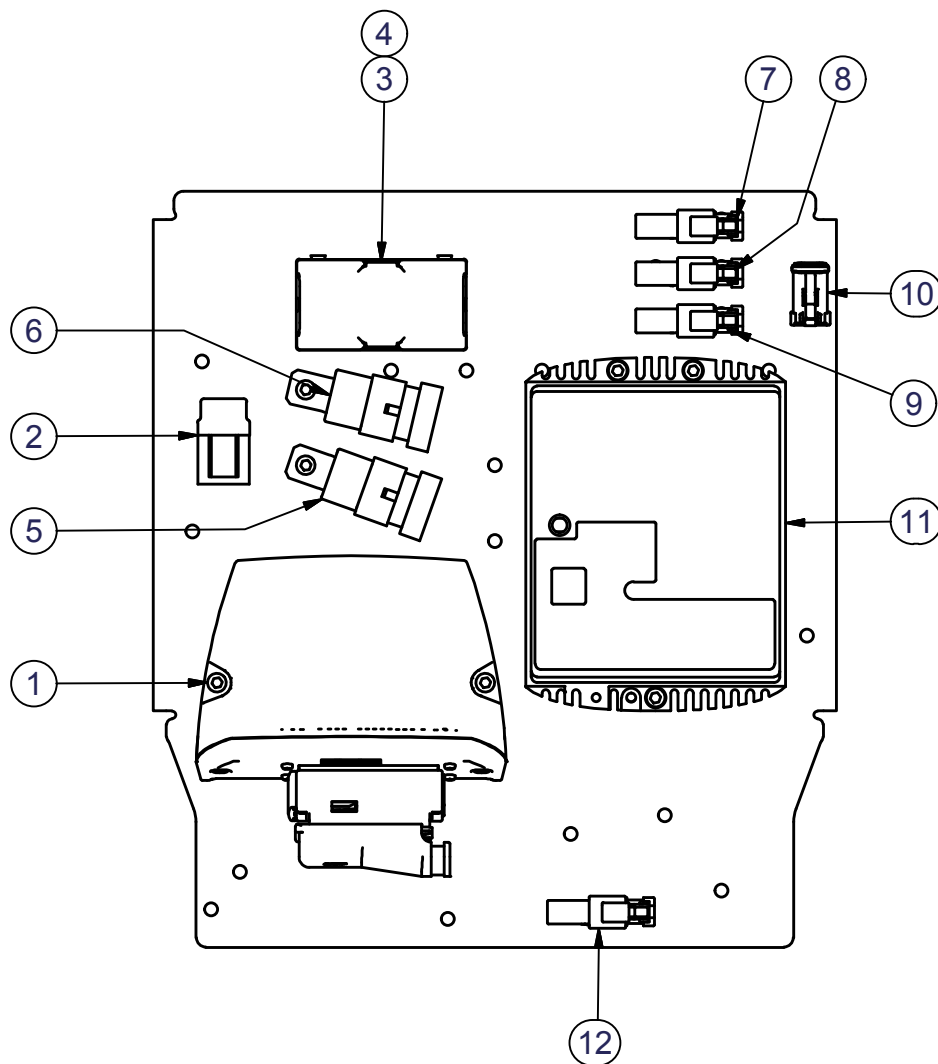
Pos Fig	Ant Qty	Benämning	Description	Dimension	Art. nr Part. nr
---------	---------	-----------	-------------	-----------	------------------

ELSKÅP KPL.**EL BOX**

1	1	BATTERISKÅP	BATTERY BOX		5018306
2	1	BATTERIHYLLA	BATTERY SHELF		5018312
3	1	SVEP	SWEEP		5018461
4	1	SKELETT KÅPOR	FRAME		5018442
5	1	PLÅT BATTERILÅS	LOCK		5018311
6	18	MUTTER	LOCK NUT	LÅSML 8 M10	1005586
7	14	SKRUV	SCREW	M6SF 8.8 M10x20	4703759
8	4	SKRUV	SCREW	MC6S 8.8 M4x16	1047952
9	4	MUTTER	LOCK NUT	LÅSML 8 M4	1043770
10	4	MUTTER	LOCK NUT	LÅSML 8 M8	1038215
11	2	SKRUV	SCREW	M6SF 8.8 M8x20	1060600
12	1	SKRUV	SCREW	M6S 8.8 M10x55	1061257
13	1	MUTTER	NUT	M6M 8 M10	1060706
14	7	MUTTER	LOCK NUT	LÅSMF 8 M10	1060437
15	2	SKRUV	SCREW	M6S 8.8 M8x20	1060815
16	6	SKRUV	SCREW	M6SF 8.8 M10x30	1060804
17	8	SKRUV	SCREW	M6SF 8.8 M10x25	1060420
18	4	BRICKA	WASHER	BRB 11x22x2	1043116
19	2	SKRUV	SCREW	MC6S 8.8 M5x16	
20	3	SKRUV	SCREW	MC6S 8.8 M6x25	1060928
21	7	MUTTER	LOCK NUT	LÅSML 8 M6	1043785
22	2	MUTTER	LOCK NUT	LÅSML 8 M5	1043777
23	4	SKRUV	SCREW	MC6S 8.8 M6x16	1043090
Pos Fig	Ant Qty	Benämning	Description	Dimension	Art. nr Part. nr

EL W17/G17

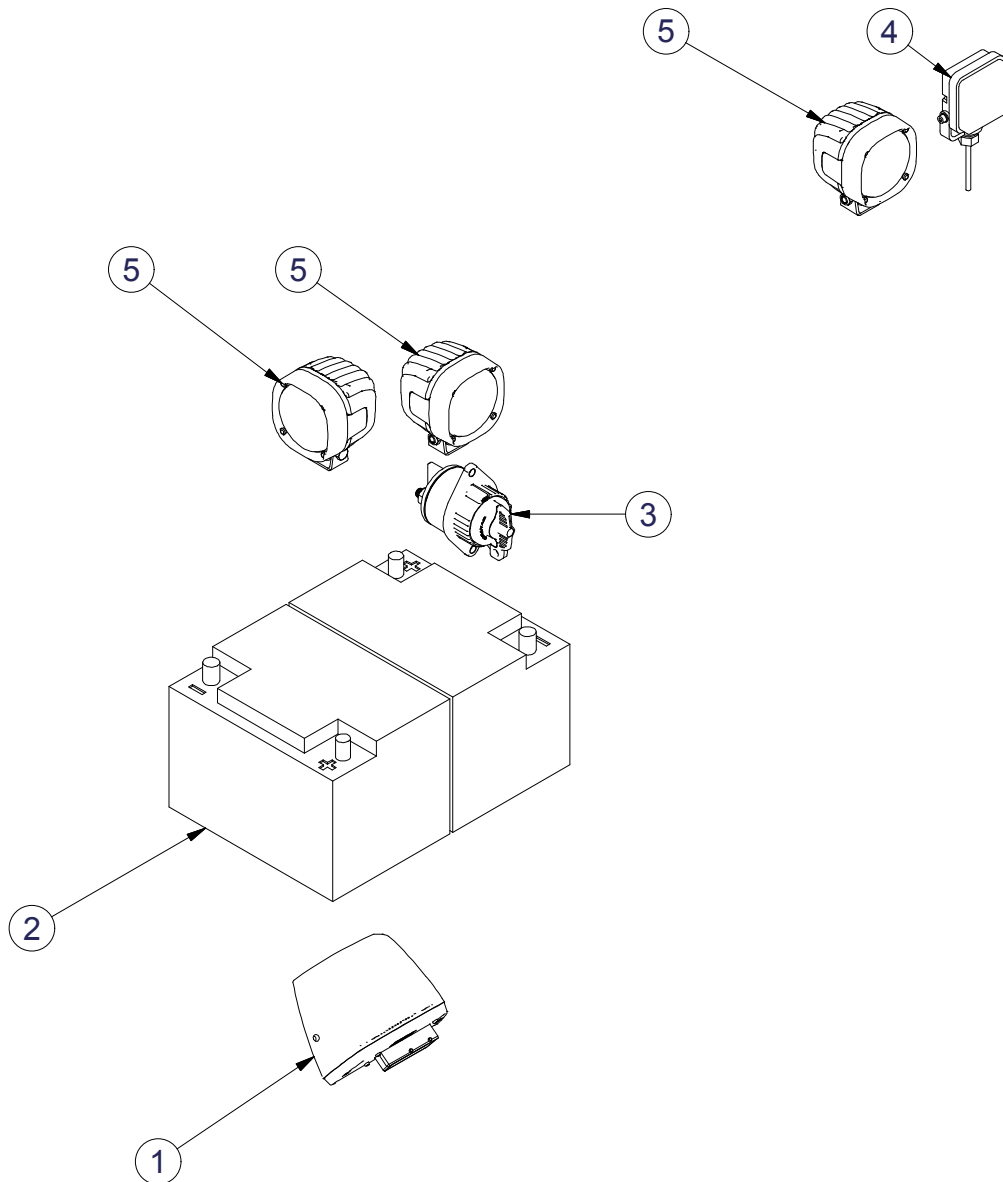
ELECTRIC W17/G17



Pos Fig	Ant Qty	Benämning	Description	Dimension	Art. nr Part. nr
---------	---------	-----------	-------------	-----------	------------------

EL W17/G17
ELECTRIC W17/G17

1	1	IQAN XA-2	IQAN XA-2		4702653
2	1	F1 SÄKRING	F1 FUSE	10A, IGNITION	1046952
3	1	F2 SÄKRING	F2 FUSE	30A, ENGINE	5018790
4	1	F3 SÄKRING	F3 SÄKRING	80A, RIFUSE	5018795
5	1	K10 RELÄ	K10 RELAY	STARTER	5018789
6	1	K1 RELÄ	K1 RELAY	STOP ENGINE	5018789
7	1	R2 MOTSTÅND	R2 RESISTOR	180Ω LEVEL SENSOR FUEL	5018779
8	1	R3 MOTSTÅND	R3 RESISTOR	180Ω LEVEL SENSOR HYD.OIL	5018779
9	1	R5 MOTSTÅND	R5 RESISTOR	1kΩ LIFT PUMP	5018778
10	1	R1+R6 MOTSTÅND (X6-S)	R1+R6 RESISTOR (X6-S)	100Ω ALTERNATOR + 1,5kΩ IQAN-MD4	5018791
11	1	RIFUSE	RIFUSE		5018434
12	1	E8 KONTAKT	E8 PLUG	MARKER LIGHT G17	
		EJ PÅ BILD	NOT SHOWED		
	1	R7 MOTSTÅND (X1)	R7 RESISTOR (X1)	120Ω CAN J1939	5018788
	1	R4 MOTSTÅND (X9)	R4 RESISTOR (X9)	120Ω SOOT SENSOR	5018788
	1	R8 MOTSTÅND (X11)	R8 RESISTOR (X11)	120Ω CAT ECU	5018788
		OPTION GPS	OPTION GPS		
	1	K14 RELÄ	K14 RELAY		5018789
Pos Fig	Ant Qty	Benämning	Description	Dimension	Art. nr Part. nr

ELSATS**ELECTRIC KIT**

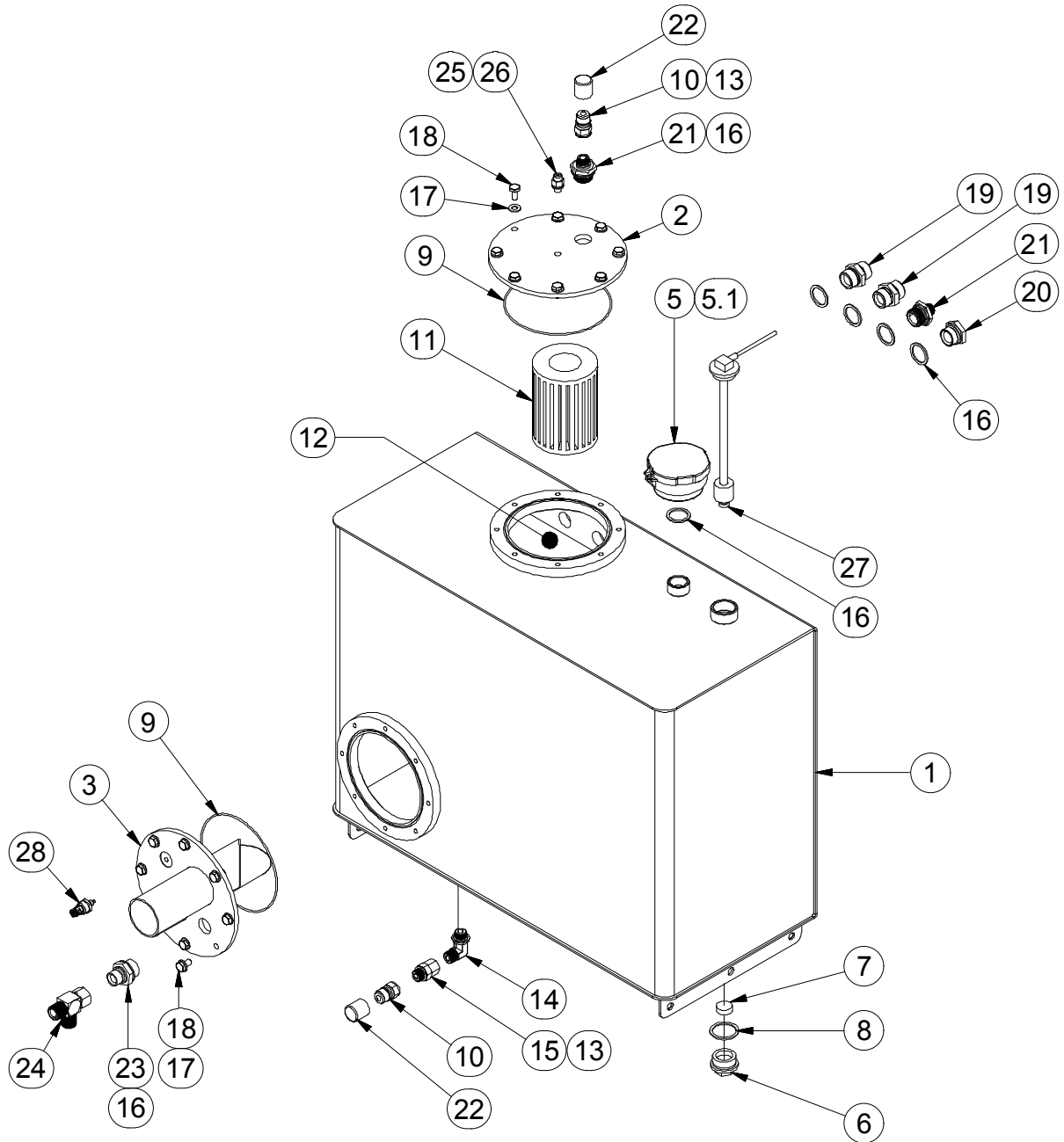
Pos Fig	Ant Qty	Benämning	Description	Dimension	Art. nr Part. nr
---------	---------	-----------	-------------	-----------	------------------

ELSATS**ELECTRIC KIT**

4	1	BLIXTLJUS MED DIODER	FLASHLIGHT		1041857
2	2	BATTERI 12V	BATTERY 12V		1039265
3	1	HUVUDSTRÖMBRYTARE	BATTERY DISCONNECT	HBD31	5018217
1	1	IQAN XA2 FÖRSTÄRKARE	IQAN XA2 CONTROLLER		4702653
5	3	ARBETSBELYSNING	WORKING LIGHT		5018445
Pos Fig	Ant Qty	Benämning	Description	Dimension	Art. nr Part. nr

HYDRAULOLJETANK KPL.

HYDRAULIC RESERVOIR



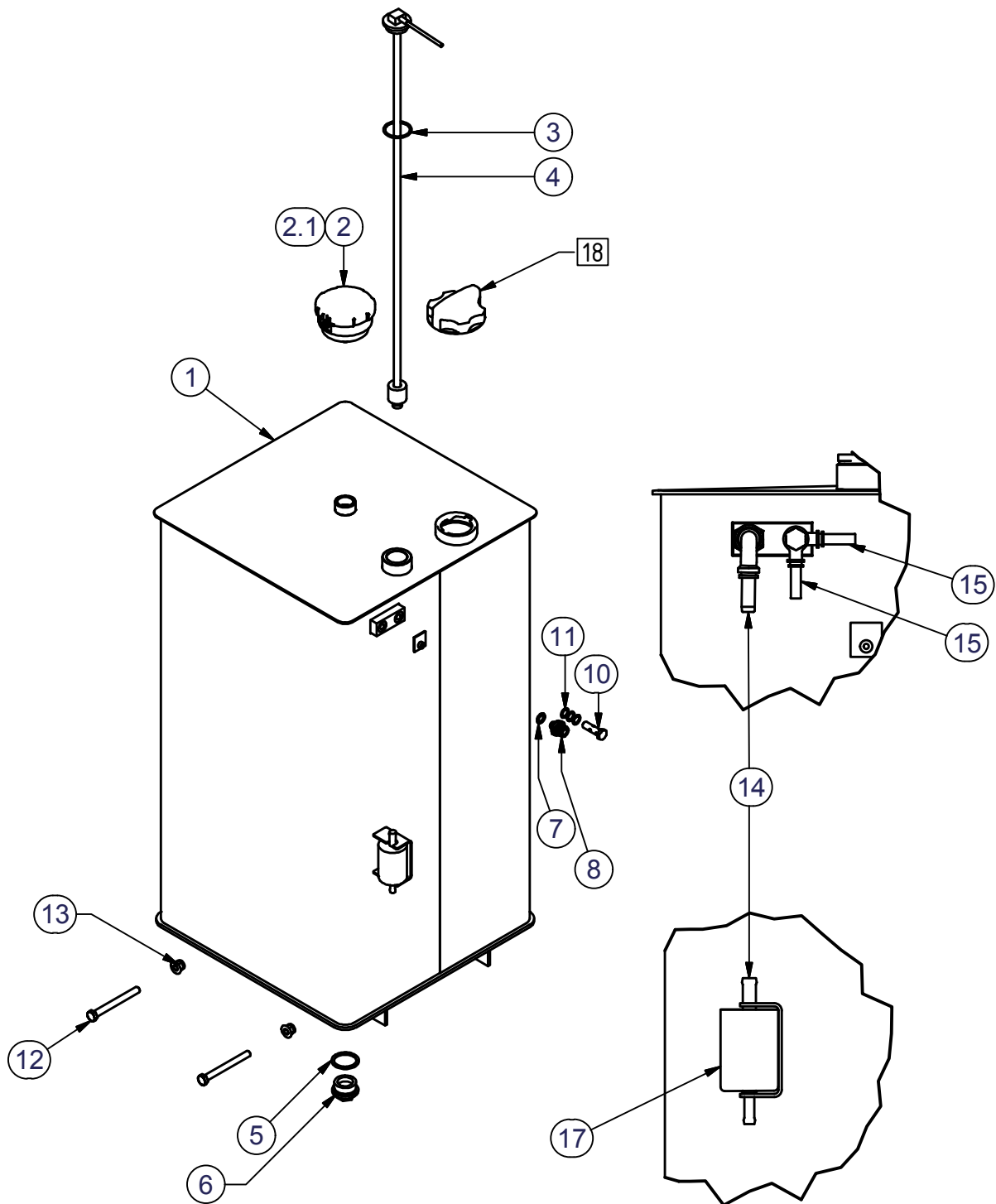
Pos Fig	Ant Qty	Benämning	Description	Dimension	Art. nr Part. nr
---------	---------	-----------	-------------	-----------	------------------

HYDRAULOLJETANK KPL.
HYDRAULIC RESERVOIR

1	1	HYDRAULOLJETANK	TANK		5018230
2	1	LOCK	COVER		5013078
3	1	SUGANSLUTNING	SUCTION LINE		5018295
5	1	FILTERHUS	FILTER HOUSING	incl 5.1	5018213
5.1	1	FILTER	FILTER		5018214
6	1	MAGNETPROPP	MAGNETIC PLUG	G 1.1/4	5012045
7	1	MAGNET	MAGNET		1043314
8	1	BRICKA	TREDO SEAL	GSTB 1.1/4	1005388
9	2	O-RING	O-RING	189,5x3	1048982
10	2	SNABBKOPPLING HANE	TEMA 5000 male	G1/2	1046267
11	2	FILTERPATRON	FILTER CARTRIDGE		1046127
12	1	BYPASS VENTIL KPL.	BYPASS VALVE		1046126
13	2	BRICKA	TREDO SEAL	GSTB 1/2	1001957
14	1	ADAPTER	ADAPTER	1/2"R-1/2"G	9606548
15	1	ADAPTER	ADAPTER	1/2"RSF-1/2"G	1039718
16	7	BRICKA	TREDO SEAL	GSTB 1	1005370
17	16	BRICKA	WASHER	BRB 11x22x2	1043116
18	16	SKRUV	SCREW	M6S 8.8 M10x20	1060729
19	2	ADAPTER	ADAPTER	1"G-1"G	5001014
20	1	PLUGG	PLUG	1"G	1040492
21	2	ADAPTER	ADAPTER	1/2"G-1"G	1039544
22	2	SKYDD	COVER	G1/2	1049220
23	1	ADAPTER	ADAPTER	3/4"G-1"G	1038009
24	1	ADAPTER	ADAPTER	3/4"RSF-3/4"G	1041818
25	1	BRICKA	TREDO SEAL	GSTB 1/4	1039494
26	1	FILTERVAKT	GAUGE	2,5bar	1049857
27	1	NIVÅVAKT	LEVER SENSOR		1046300
28	1	TEMPERATURGIVARE	TEMP. SENSOR	M10	5018218
Pos Fig	Ant Qty	Benämning	Description	Dimension	Art. nr Part. nr

DIESELTANK KPL.

FUELTANK



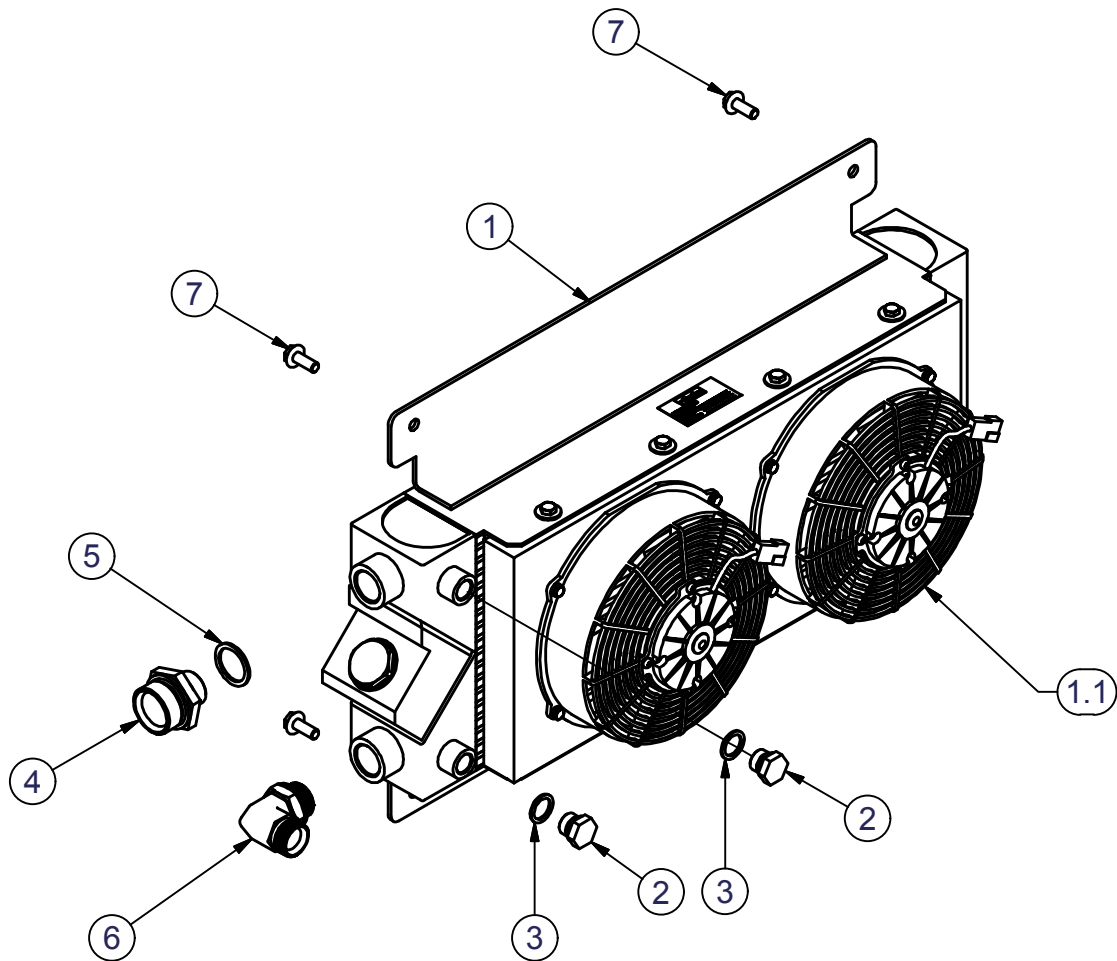
Pos Fig	Ant Qty	Benämning	Description	Dimension	Art. nr Part. nr
------------	------------	-----------	-------------	-----------	---------------------

DIESELTANK KPL.**FUELTANK**

1	1	DIESELTANK	TANK		5018360
2	1	FILTERHUS	FILTER HOUSING	incl 2.1	5018213
2.1	1	FILTER	FILTER		5018214
3	1	O-RING	O-RING	47,22x3,53	1038249
4	1	NIVÅVAKT	LEVER SENSOR	S3 - E900	5017973
5	1	BRICKA	TREDO SEAL	GSTB 1.1/4	1005388
6	1	MAGNETPROPP	MAGNETIC PLUG	G 1.1/4	5012045
7	1	BRICKA	TREDO SEAL	GSTB 1/4	1039494
8	1	ADAPTER	ADAPTER	1/4"G-1/2"G	1039692
10	1	BANJOBULT	BANJOBULT	G1/4	5018397
11	3	KOPPARBRICKA	COPPER SEAL	M14	1039115
12	4	SKRUV	SCREW	M6S 8.8 M12x120	1060404
13	4	MUTTER	LOCK NUT	LÅSMF 8 M12	1060769
14	1	HYDRAULSLANG	HYDRAULIC HOSE	1 1/2 490	5018394
15	2	HYDRAULSLANG	HYDRAULIC HOSE	1 3/8 1900	5018395
17	1	FILTER	FILTER		5018476
18	1	TANKLOCK	CAP		5018353
Pos Fig	Ant Qty	Benämning	Description	Dimension	Art. nr Part. nr

OLJEKYLARE KPL.

OIL COOLING



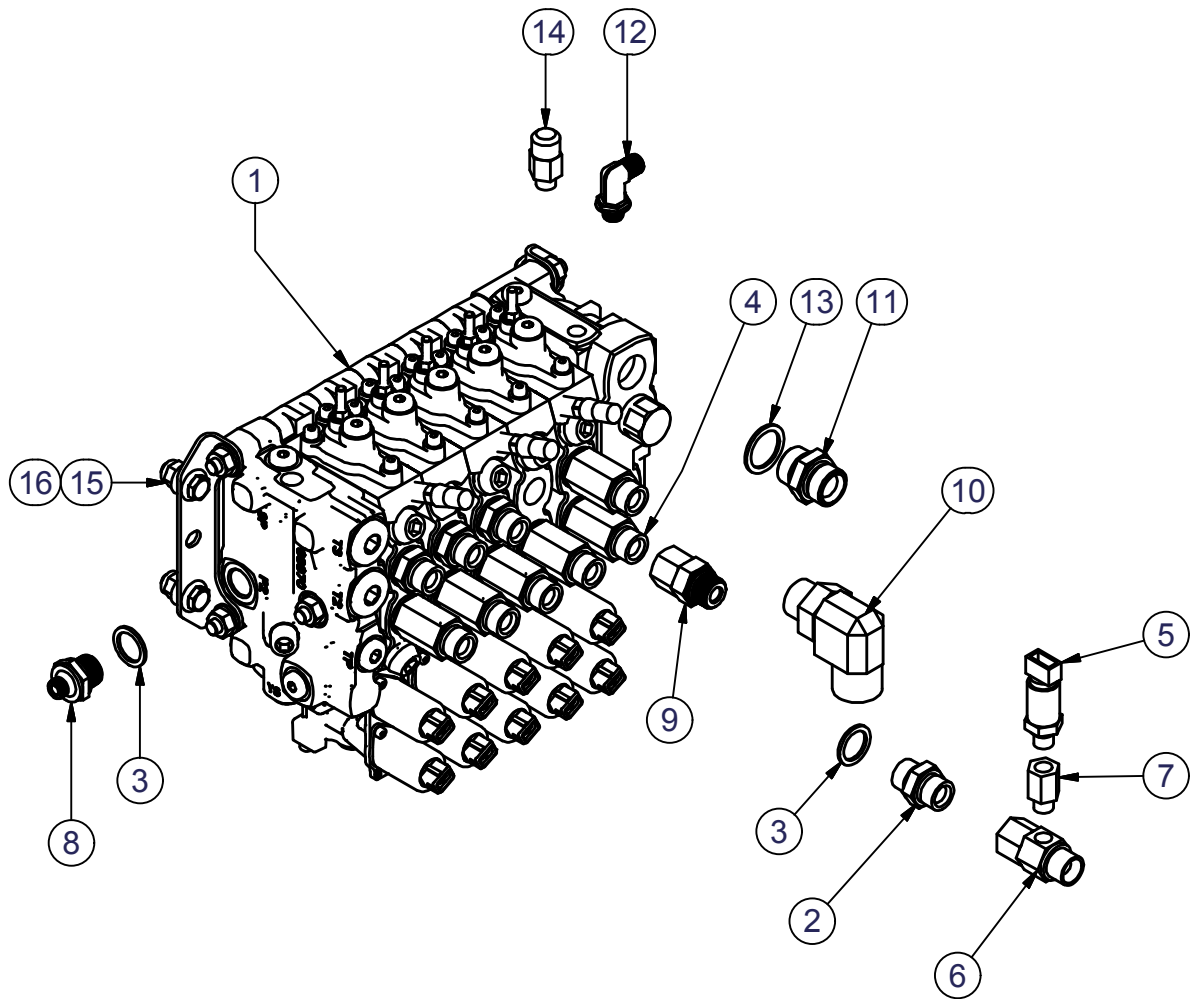
Pos Fig	Ant Qty	Benämning	Description	Dimension	Art. nr Part. nr
------------	------------	-----------	-------------	-----------	---------------------

OLJEKYLARE KPL.**OIL COOLING**

1	1	HYDRAULOLJEKYLARE	HYDRAULIC OIL COOLER	incl 1.1	5018250
1.1	1	FLÄKTENHET	FAN UNIT		5018481
2	2	PLUGG	PLUG	1/2"G	1040690
3	2	BRICKA	TREDO SEAL	GSTB 1/2	1001957
4	1	ADAPTER	ADAPTER	1"G-1.1/2"G	1038173
5	1	BRICKA	TREDO SEAL	GSTB 1	1005370
6	1	ADAPTER	ADAPTER	1"R-1"G	1041839
7	4	SKRUV	SCREW	M6SF 8.8 M10x25	1060420
Pos Fig	Ant Qty	Benämning	Description	Dimension	Art. nr Part. nr

MANÖVERVENTIL Kpl.

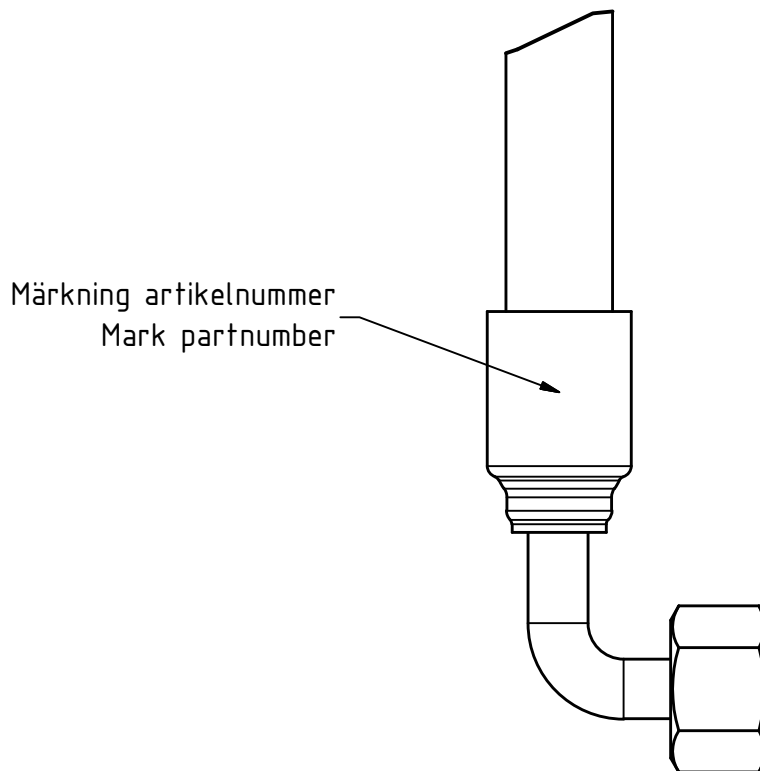
CONTROL VALVE



Pos Fig	Ant Qty	Benämning	Description	Dimension	Art. nr Part. nr
---------	---------	-----------	-------------	-----------	------------------

MANÖVERVENTIL Kpl.**CONTROL VALVE**

1	1	VENTIL	VALVE	L90LS	5018380
2	4	ADAPTER	ADAPTER	1/2"G-1/2"G	1060701
3	11	BRICKA	TREDO SEAL	GSTB 1/2	1001957
4	6	ADAPTER	ADAPTER	1/2"G-1/2"G	1015957
5	1	TRYCKGIVARE	PRESSURE SENSOR	SP500	1049260
6	1	ADAPTER	ADAPTER	1/2G-1/2RF-1/4RF	1060766
7	1	ADAPTER	ADAPTER	1/4"G-1/4"RF	1060762
8	1	ADAPTER	ADAPTER	1/4"G-1/2"G	1039692
9	1	ADAPTER	ADAPTER	1/2"RSF-1/2"G	1039718
10	1	ADAPTER	ADAPTER	3/4"R-1"G	1041862
11	1	ADAPTER	ADAPTER	3/4"G-3/4"G	1039171
12	1	ADAPTER	ADAPTER	1/4"R-1/4"G	1040356
13	1	BRICKA	TREDO SEAL	GSTB 3/4	1060477
14	1	MÄTNIPPEL	GAUGE NIPPLE	G1/4	1038587
15	4	MUTTER	LOCK NUT	LÅSMF 8 M10	1060437
16	4	SKRUV	SCREW	M6SF 8.8 M10x25	1060420
Pos Fig	Ant Qty	Benämning	Description	Dimension	Art. nr Part. nr

SLANGSATS**HOSE KIT**

Pos Fig	Ant Qty	Benämning	Description	Dimension	Art. nr Part. nr
------------	------------	-----------	-------------	-----------	---------------------

SLANGSATS**HOSE KIT**

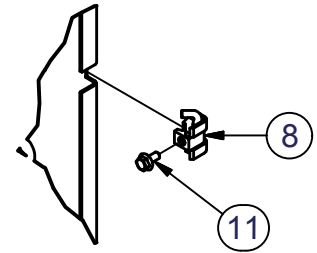
1	2	HYDRAULSLANG	HYDRAULIC HOSE	2 1/2 1700	5018336
2	4	HYDRAULSLANG	HYDRAULIC HOSE	2 1/2 2200	5018326
3	2	HYDRAULSLANG	HYDRAULIC HOSE	2 1/2 2300	5018327
4	2	HYDRAULSLANG	HYDRAULIC HOSE	2 3/8 1060	5016830
5	1	HYDRAULSLANG	HYDRAULIC HOSE	2 1/2 3650	5016831
6	1	HYDRAULSLANG	HYDRAULIC HOSE	4 1 3200	5016841
7	1	HYDRAULSLANG	HYDRAULIC HOSE	1 1.1/2 3100	5018337
8	1	HYDRAULSLANG	HYDRAULIC HOSE	2 1/4 1200	5018316
9	1	HYDRAULSLANG	HYDRAULIC HOSE	2 1/4 1120	5018317
10	2	HYDRAULSLANG	HYDRAULIC HOSE	2 1/2 450	5018318
11	1	HYDRAULSLANG	HYDRAULIC HOSE	1 1 2480	5018319
12	1	HYDRAULSLANG	HYDRAULIC HOSE	2 3/4 1100	5018320
13	1	HYDRAULSLANG	HYDRAULIC HOSE	1 1 1250	5018321
14	1	HYDRAULSLANG	HYDRAULIC HOSE	1 3/4 800	5018322
15	1	HYDRAULSLANG	HYDRAULIC HOSE	1 3/4 700	5018323
16	1	SUGSLANG	SUCTION HOSE	3" 850	5018366
17	1	SUGSLANG	SUCTION HOSE	3" 1200	5018367
Pos Fig	Ant Qty	Benämning	Description	Dimension	Art. nr Part. nr



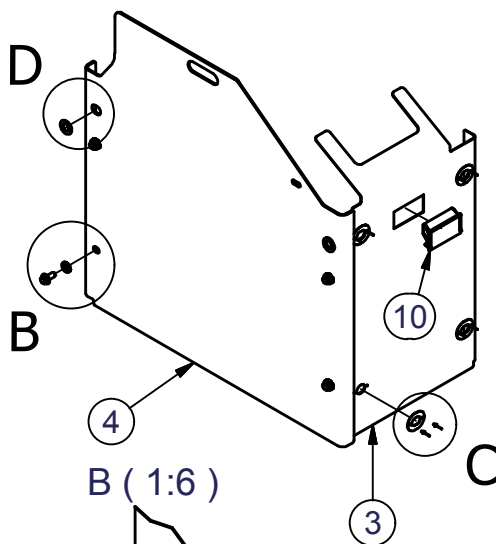
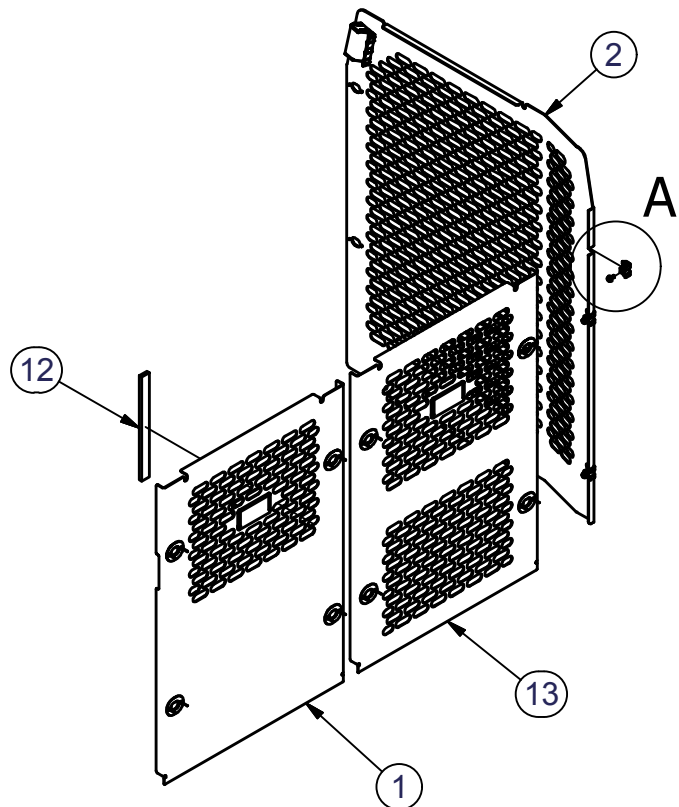
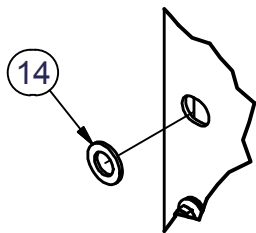
MOTORLUCKOR

ENGINE DOORS SET

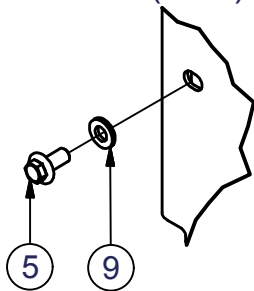
A (1:6)



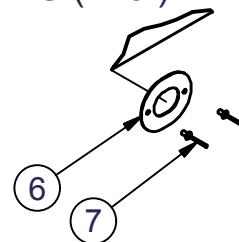
D (1:6)



B (1:6)



C (1:6)



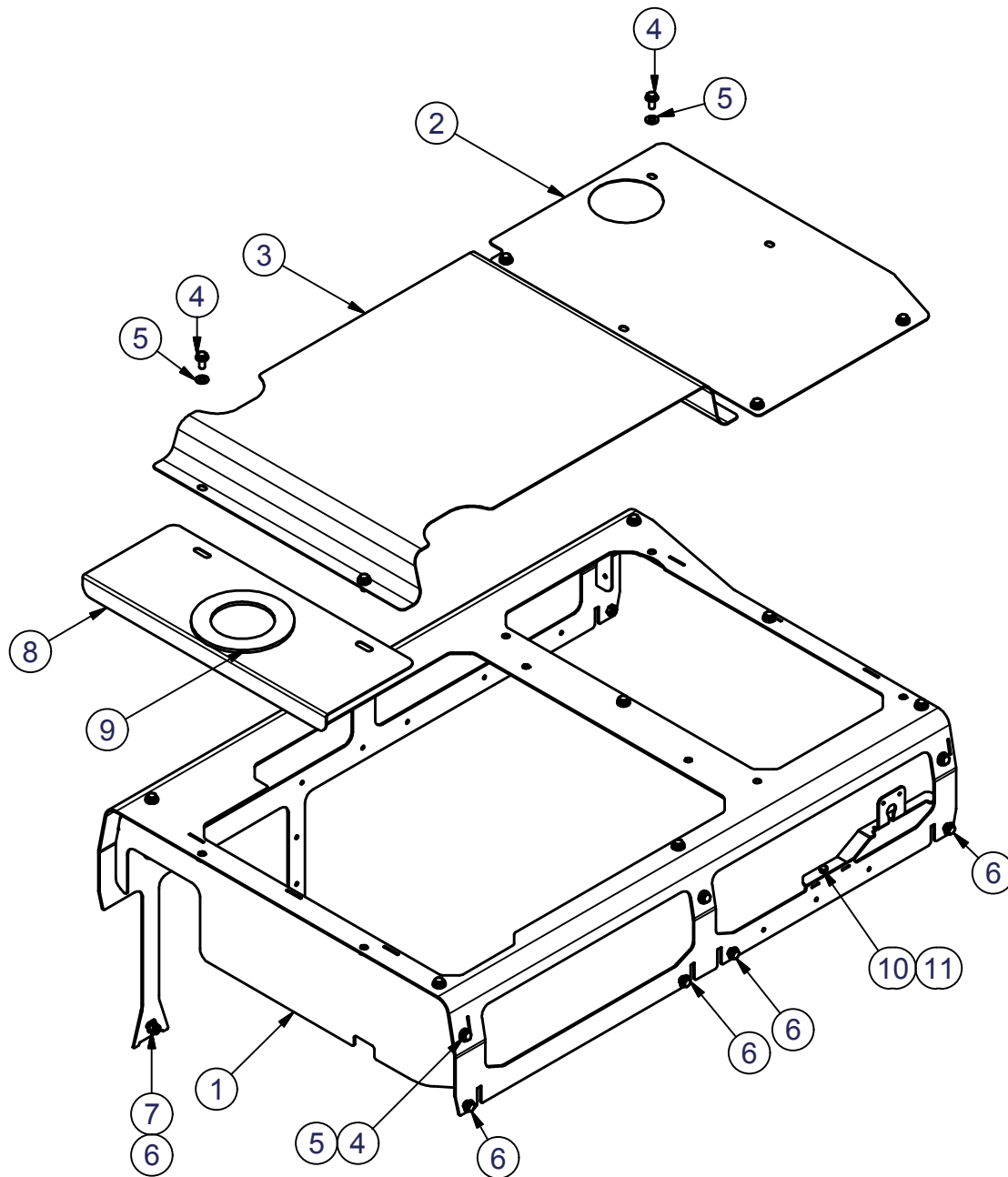
Pos Fig	Ant Qty	Benämning	Description	Dimension	Art. nr Part. nr
---------	---------	-----------	-------------	-----------	------------------

MOTORLUCKOR**ENGINE DOORS SET**

1	1	SIDOLUCKA	SIDE DOOR		5018286
2	1	KYLARLUCKA	DOOR		5018287
3	1	BATTERILUCKA	COVER		5018314
4	1	SKYDD	PROTECTION		5018315
5	4	SKRUV	SCREW	M6SF 8.8 M12x25	9602194
6	14	BRICKA	WASHER		5018371
7	28	POPINIT	POP RIVET	3.2 x 6	5018372
8	3	GÅNGJÄRN	CORNER HINGE		5018226
9	4	BRICKA	NORD-LOCK WASHER	NL 13,5x25x3,4	1046440
10	4	GREPPHANDTAG	GRAB HANDLE		5018227
11	3	SKRUV	SCREW	M6SF 8.8 M6x12	9602011
12	6m	SKUMLIST	FOAM STRIP	25x8	5018403
13	1	SIDOLUCKA	SIDE DOOR		5018486
14	2	BRICKA	WASHER	BRB 21x36x3	955903
Pos Fig	Ant Qty	Benämning	Description	Dimension	Art. nr Part. nr

MOTORHUV KPL.

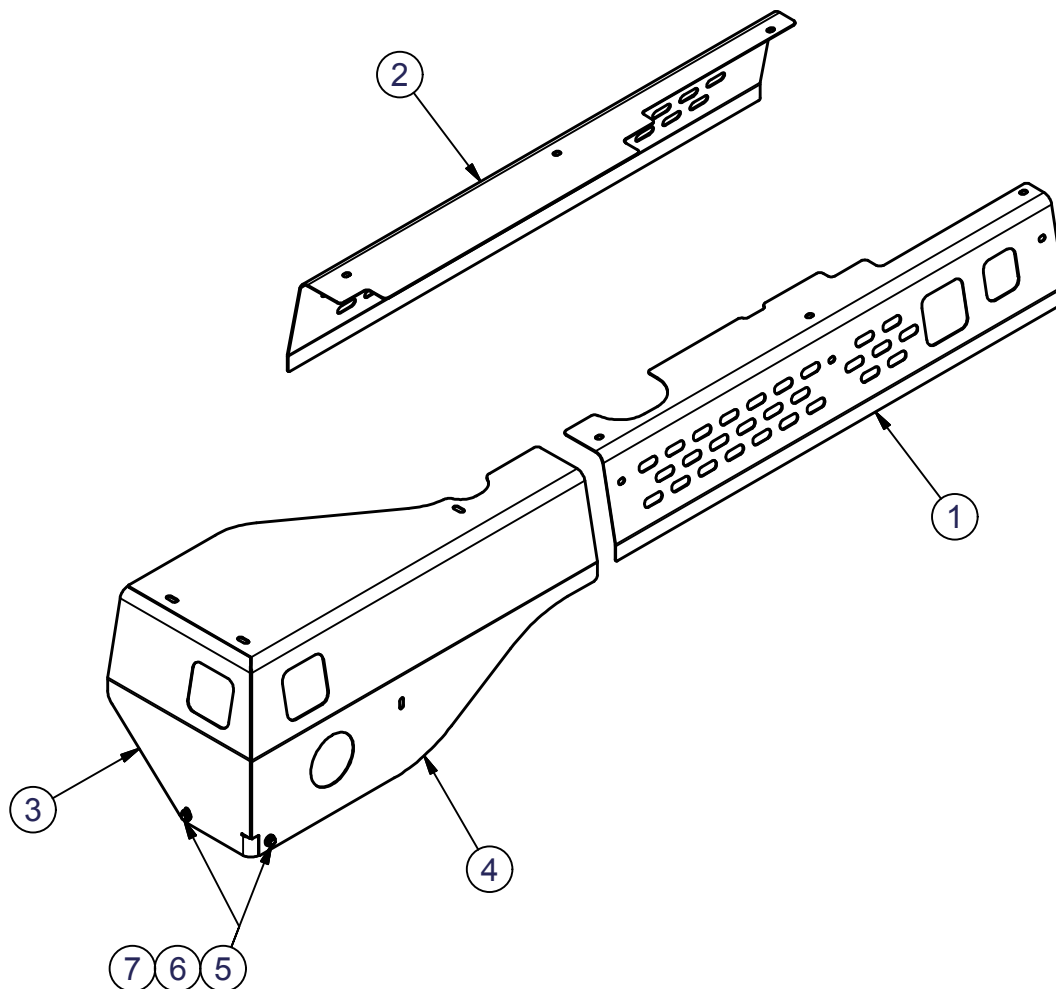
ENGINE HOOD



Pos Fig	Ant Qty	Benämning	Description	Dimension	Art. nr Part. nr
---------	---------	-----------	-------------	-----------	------------------

MOTORHUV KPL.**ENGINE HOOD**

1	1	MOTORHUV	ENGINE COVER		5018260
2	1	LOCK KYLARE	LOCK		5018282
3	1	VÄRMESKYDD	HEAT PROTECTION		5018401
4	23	SKRUV	SCREW	M6SF 8.8 M10x20	4703759
5	22	BRICKA	WASHER	BRB 11x22x2	1043116
6	6	SKRUV	SCREW	M6SF 8.8 M10x25	9602208
7	2	MUTTER	LOCK NUT	LÄSMF 8 M10	9602259
8	1	VÄRMESKYDD	HEAT PROTECTION		5018468
9	1	GUMMIBRICKA	RUBBER WASHER		5018469
10	1	SKRUV	SCREW	M6S 8.8 M8x20	955295
11	1	MUTTER	LOCK NUT	LÄSML 8 M8	1038215
Pos Fig	Ant Qty	Benämning	Description	Dimension	Art. nr Part. nr

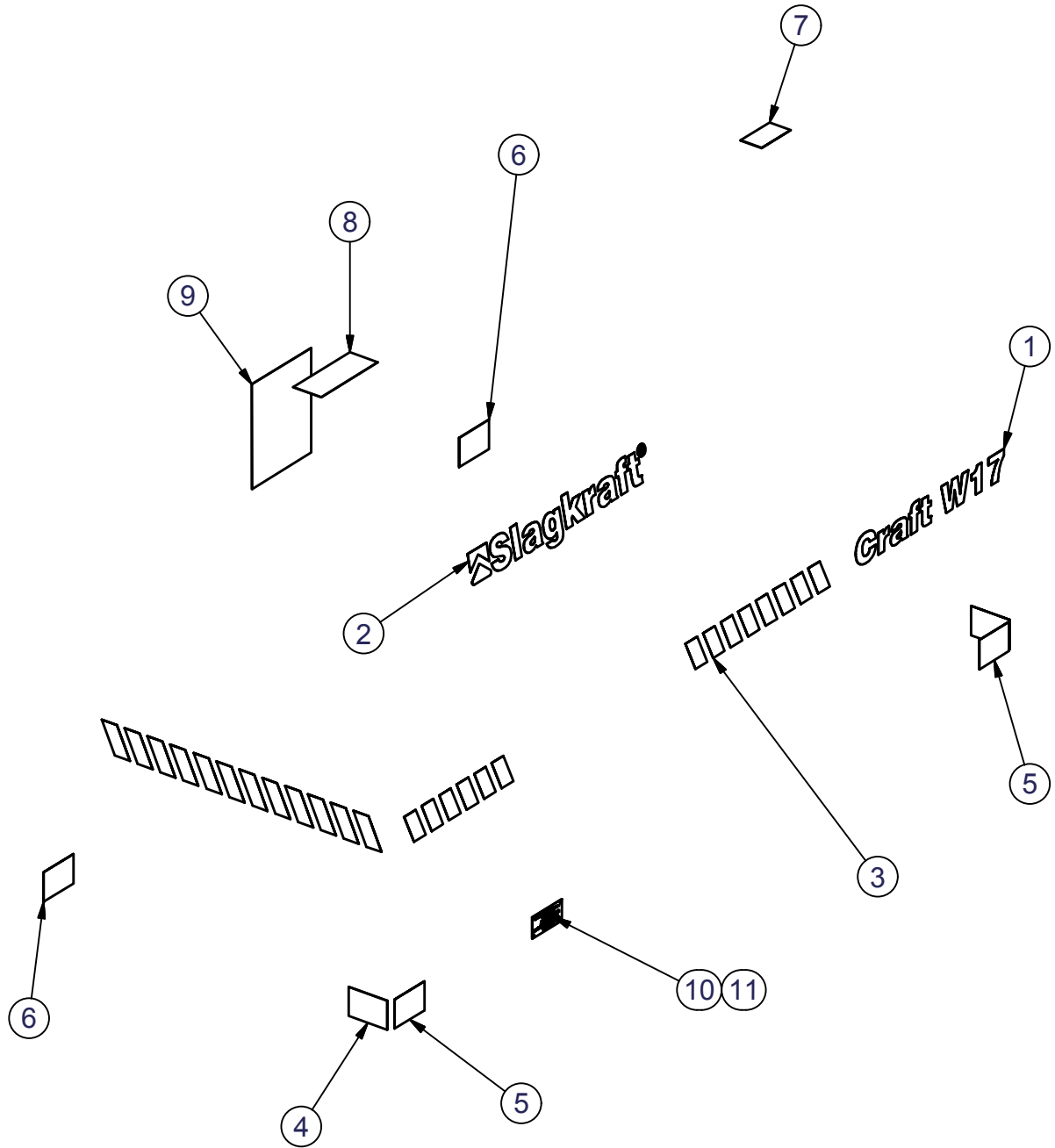
SKYDDSATS**COVER KIT**

Pos Fig	Ant Qty	Benämning	Description	Dimension	Art. nr Part. nr
------------	------------	-----------	-------------	-----------	---------------------

SKYDDSATS**COVER KIT**

1	1	MOTORHUV	HOOD	FRONT	5018288
2	1	MOTORHUV	HOOD	BACK	5018289
3	1	SKYDD	COVER		5018444
4	1	SKYDD	COVER		5018443
5	2	SKRUV	SCREW	M6SF 8.8 M10x25	1060420
6	2	BRICKA	WASHER	BRB 11x22x2	1043116
7	2	MUTTER	LOCK NUT	LÅSMF 8 M10	1060437
Pos Fig	Ant Qty	Benämning	Description	Dimension	Art. nr Part. nr

DEKALSATS ASSEMBLY KIT



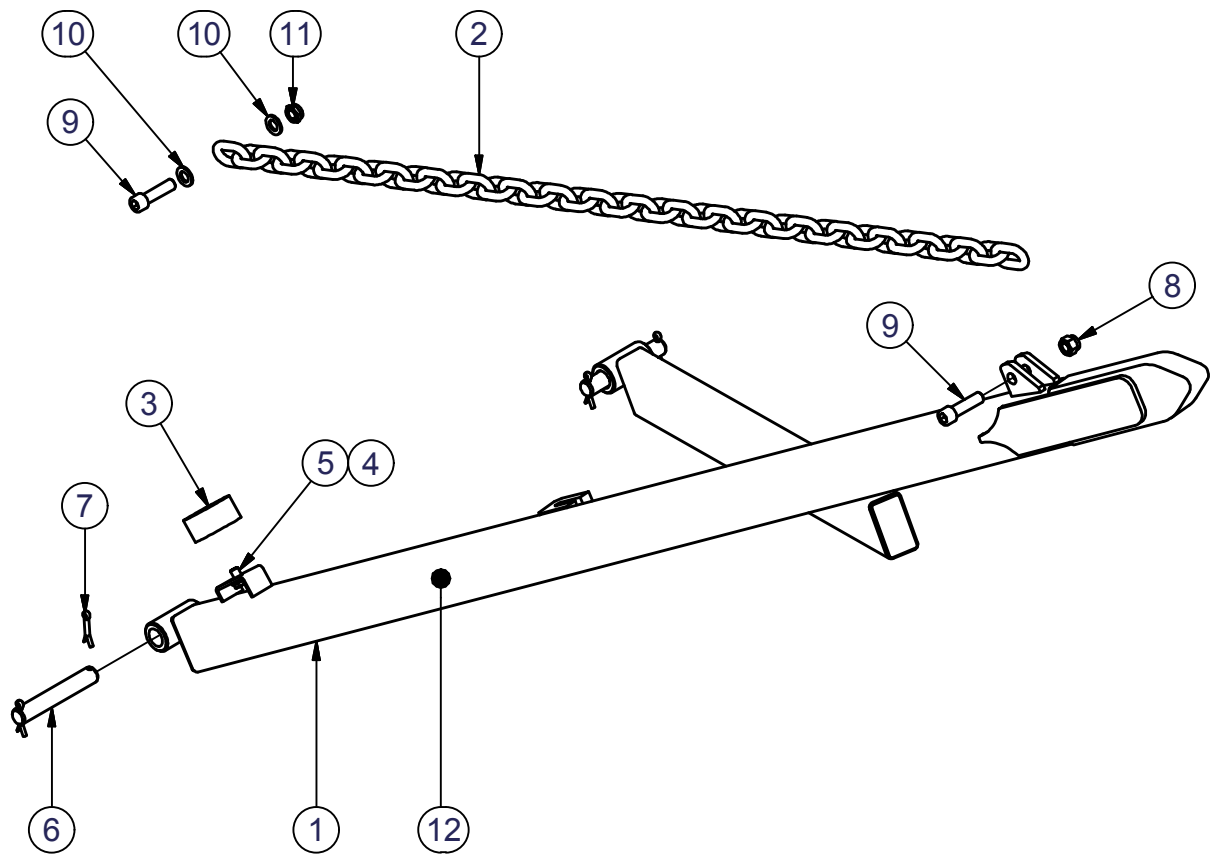
DEKALSATS**ASSEMBLY KIT**

1	1	DEKAL	DECAL	5018462	
2	1	DEKAL - Slagkraft	DECAL - Slagkraft	5014454	
3	1	Stripe 80 Vänster-Gul	Decal	5014451	
4	2	REFLEX ORANGE	REFLEX ORANGE	1042311	
5	2	REFLEX VIT	REFLEX WHITE	1042312	
6	2	REFLEX RÖD	REFLEX RED	1042313	
7	1	DEKAL	DECAL	5014437	
8	1	DEKAL	DECAL	5014416	
9	1	DEKAL	DECAL	5018466	
10	1	MASKINSKYLT SLAGKRAFT	TRADEMARK CE-MARK	5018225	
11	4	POPPNIT	RIVET	9989463	
Pos Fig	Ant Qty	Benämning	Description	Dimension	Art. nr Part. nr



TRANSPORTSTÖD KPL.

SUPPORT



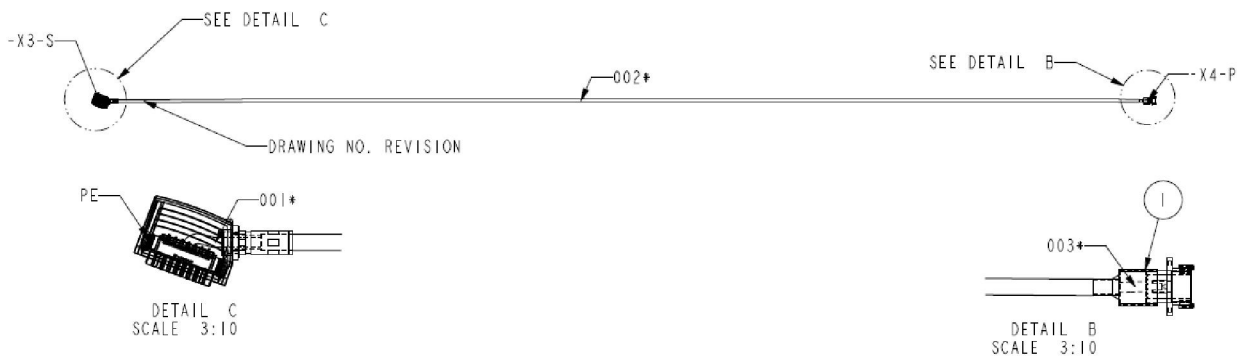
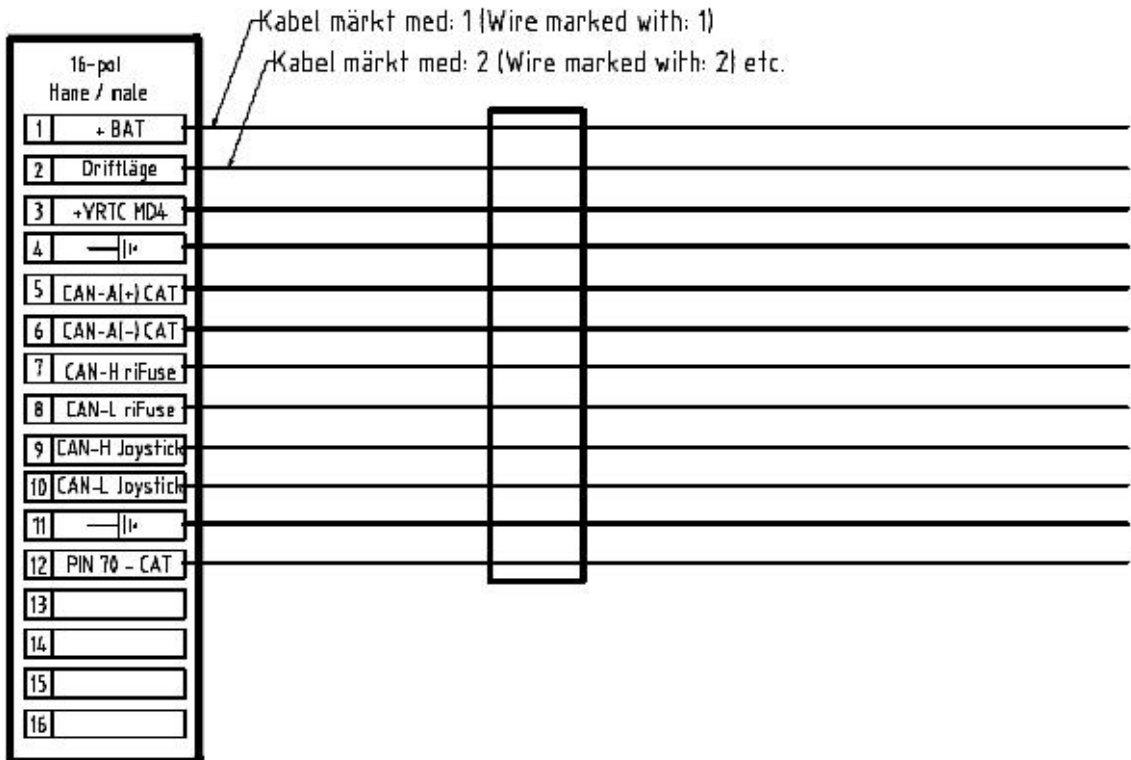
Pos Fig	Ant Qty	Benämning	Description	Dimension	Art. nr Part. nr
---------	---------	-----------	-------------	-----------	------------------

**TRANSPORTSTÖD KPL.
SUPPORT**

1	1	TRANSPORTSTÖD	SUPPORT		5018303
2	1	KÄTTING	CHAIN	13mm-1,5m	5017907
3	1	VIBRATIONSDÄMPARE	RUBBER CUSHION		1046507
4	1	BRICKA	NORD-LOCK WASHER	NL 13,5x25x3,4	1046440
5	1	SKRUV	SCREW	M6S 8.8 M12x20	1061201
6	2	TAPP T-STÖD	PIN T-SUPPORT	D25x155	5012883
7	4	SAXPINNE	SPLIT PIN	SP 6,3x40	1048321
8	1	MUTTER	LOCK NUT	LÄSMH 8 M16	1060958
9	2	SKRUV	SCREW	MC6S 12.9 M16x60	1060372
10	2	BRICKA	WASHER	BRB 17x30x3	1060773
11	1	MUTTER	LOCK NUT	LÄSML 10 M16	1039116
12	1	REFLEXTEJP	REFLECTIVE TAPE		5018175
Pos Fig	Ant Qty	Benämning	Description	Dimension	Art. nr Part. nr

MELLANKABEL

CONNECTION CABLE



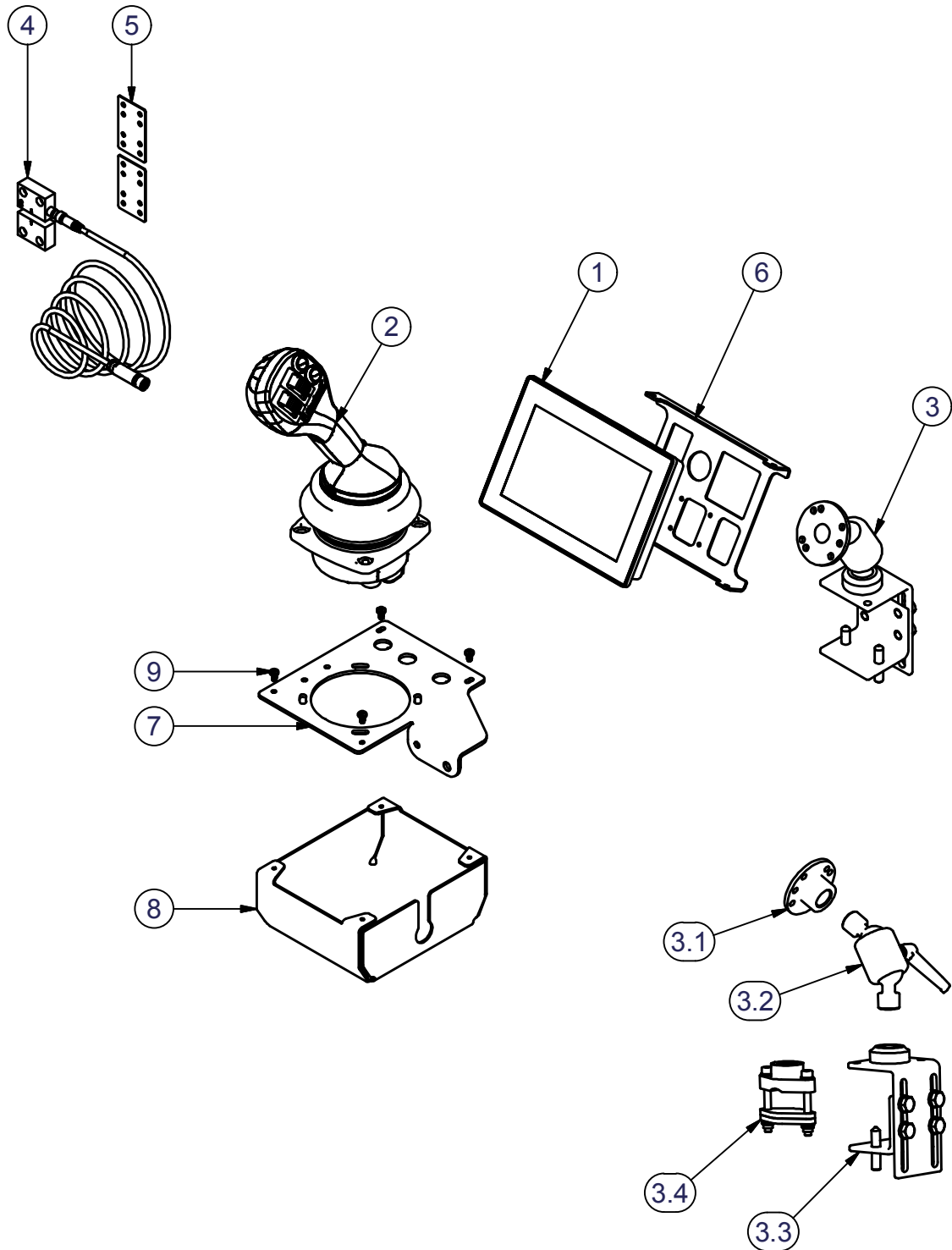
Pos Fig	Ant Qty	Benämning	Description	Dimension	Art. nr Part. nr
---------	---------	-----------	-------------	-----------	------------------

MELLANKABEL**CONNECTION CABLE**

1	1	MELLANKABEL	CONNECTION CABLE		5018421
Pos Fig	Ant Qty	Benämning	Description	Dimension	Art. nr Part. nr

HYTTSATS

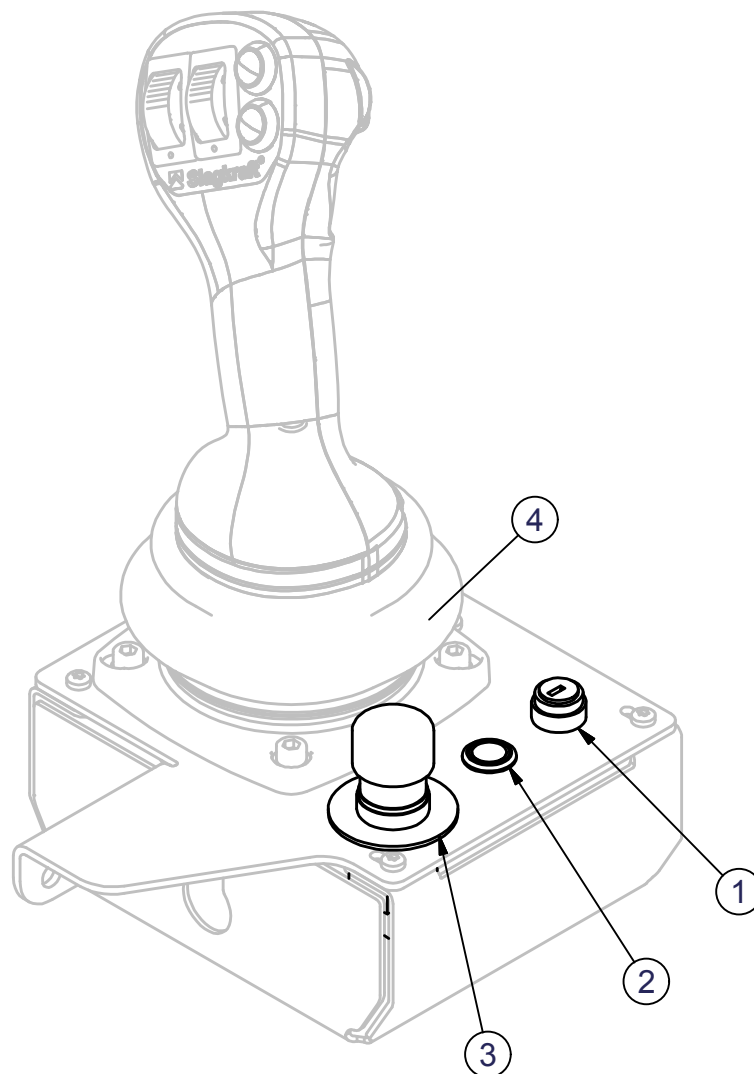
CAB KIT



Pos Fig	Ant Qty	Benämning	Description	Dimension	Art. nr Part. nr
---------	---------	-----------	-------------	-----------	------------------

HYTTTSATS**CAB KIT**

1	1	MD4 DISPLAY	MD4 DISPLAY		5018219
2	1	JOYSTICK Craft W17	JOYSTICK		5018390
3	1	ZIRKONA KIT	ZIRKONA KIT	incl 3.1-3.4	5018180
3.1	1	FÄSTPLATTA	MOUNTING PLATE		5018181
3.2	1	KULLED MEDIUM	BALL JOINT		5018182
3.3	1	BALKFÄSTE	BRACKET	55-110mm	5018183
3.4	1	RÖRFÄSTE	BRACKET	15-30mm	5018185
4	1	DÖRRBRYTARE KIT	DOOR SWITCH SET		5018140
5	2	FÄSTE	BRACKET	DOOR SWITCH	5018210
6	1	HÅLLARE MD4	BRACKET		5018398
7	1	FÄSTE	MOUNTING		5018458
8	1	SKYDD	COVER		5018459
9	4	SKRUV	SCREW	MRT-TT M4x8	4703786
Pos Fig	Ant Qty	Benämning	Description	Dimension	Art. nr Part. nr

HYTTINSTALLATION**CAB INSTALLATION**

Pos Fig	Ant Qty	Benämning	Description	Dimension	Art. nr Part. nr
------------	------------	-----------	-------------	-----------	---------------------

HYTTINSTALLATION**CAB INSTALLATION**

1	1	STARTLÅS	IGNITION LOCK		5018805
2	1	TRYCKKNAPP	PUSHBUTTON		5018811
3	1	NÖDSTOPP	EMERGENCY STOP		5018813
4	1	SUMMER	BUZZER		5018814
Pos Fig	Ant Qty	Benämning	Description	Dimension	Art. nr Part. nr





**Cranab AB
SE-922 82 VINDELN
SWEDEN**



+46-(0)933-135 00



+46-(0)933-617 36

**www.slagkraft.com
www.cranab.com**