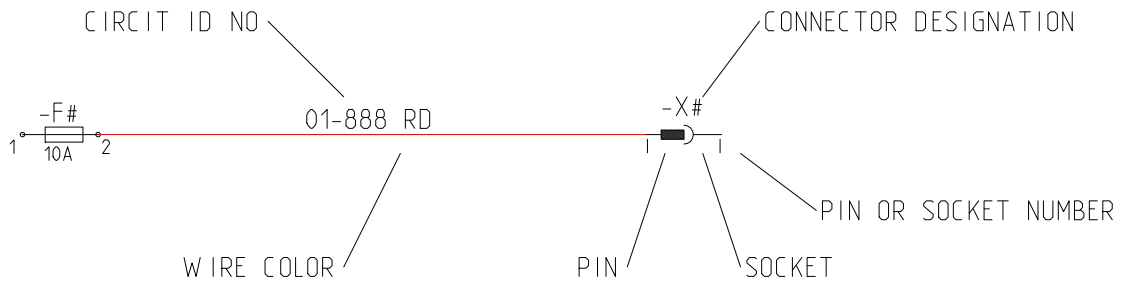


1 2 3 4 5 6 7 8

REVISION	TYPE OF REVISION / REVISION NOTE	APPROVED BY - DATE
01	3296	MaL-2016-02-03




- MAIN POWER — RD RED
- GENERAL — WH WHITE
- CAN-BUS — GN GREEN
- VOLTAGE REF. 5V — YE YELLOW
- VOLTAGE REF. 0V — VT VIOLET
- GROUND — BU BLUE

This document is the property of Rimaster Development AB and must not be used without Rimaster Development AB written approval. It is not to be copied, reproduced, or be used for any other unauthorized purpose. COPYRIGHT Rimaster Development AB 2011

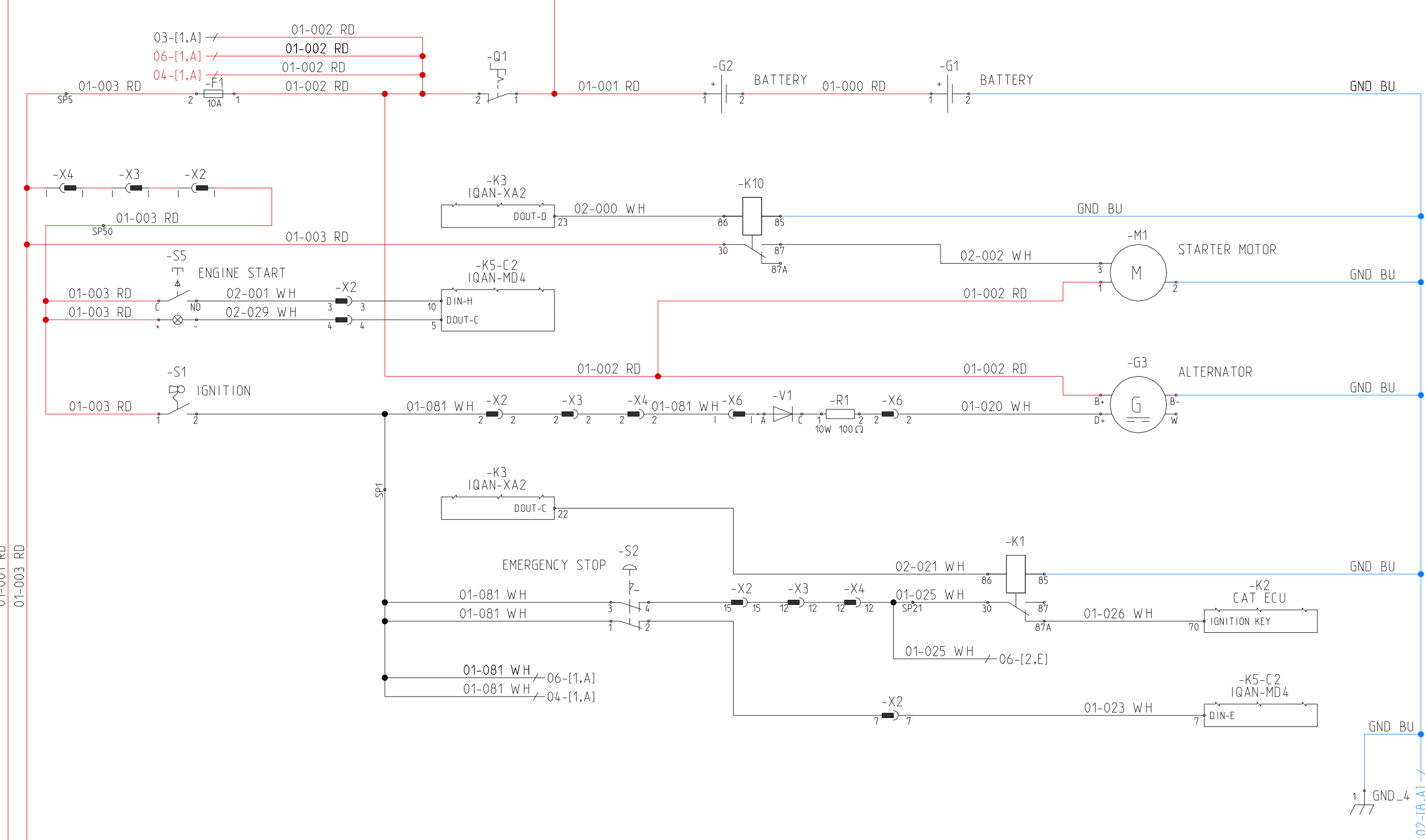
Release Level Released (Intralink Ver. -)

SHEET	TITLE
1	POWER SUPPLY
2	DIESEL ENGINE
3	DIESEL ENGINE
4	LIGHTS, DOOR SWITCHES
5	WORKING HYDRAULICS
6	CAN-BUS, J1939

DESIGNER DBR	DRAWN DBR	APPROVED BY DBR	APPROVED DATE 160203	GENERAL TOLERANCE -	DRAWING TYPE Circuit	FORMAT A3	COMPUTER BASED RSDesigner	PROJECTION METHOD ⊕	SCALE -
				<b>DIAGRAM INFO</b>					
				CUSTOMER <b>CRANAB SLAGKRAFT</b>				CUSTOMER REF CRAFT W 10	
				DRAWING NO <b>5018522</b>				REVISION <b>02</b>	

1 2 3 4 5 6 7 8

REVISION	TYPE OF REVISION / REVISION NOTE	APPROVED BY - DATE
01	3296	MaL-2016-02-03

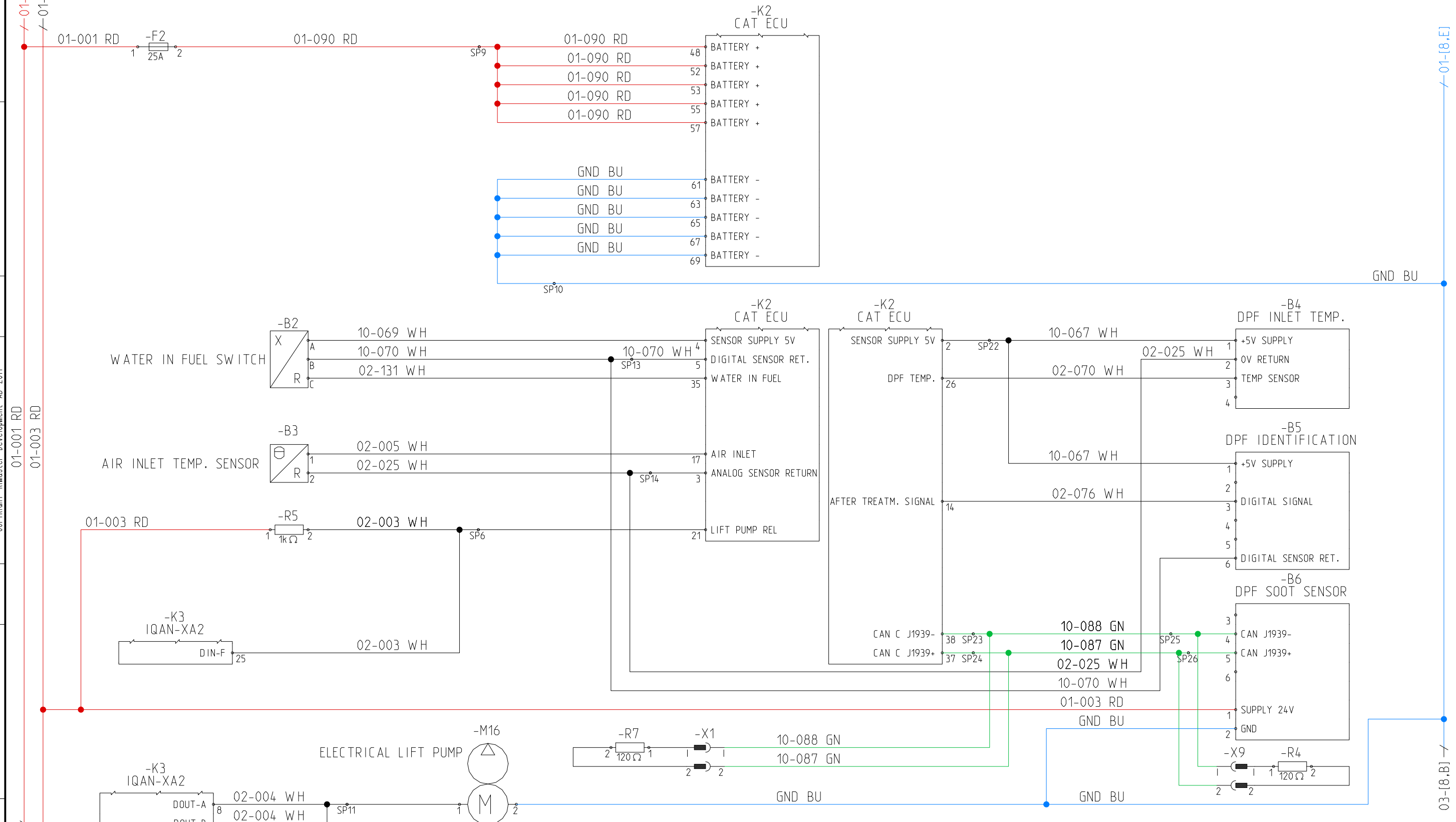


This document is the property of Rimaster Development AB and must not be copied, reproduced, or used for any other unauthorized purpose. Copyright Rimaster Development AB 2011

Release Level Released (Intralink Ver. -)

DESIGNER	DRAWN	APPROVED BY	APPROVED DATE	GENERAL TOLERANCE	DRAWING TYPE	FORMAT	COMPUTER BASED	PROJECTION METHOD	SCALE
DBR	DBR	DBR	160203	-	Circuit	A3	RSDesigner		-
 <b>rimaster</b> RIMASTER DEVELOPMENT AB				TITLE <b>POWER SUPPLY</b>			CUSTOMER REF <b>CRAFT W 10</b>		
				CUSTOMER <b>CRANAB SLAGKRAFT</b>			DRAWING NO <b>5018522</b>		

REVISION	TYPE OF REVISION / REVISION NOTE	APPROVED BY - DATE
01	3296	MaL-2016-02-03

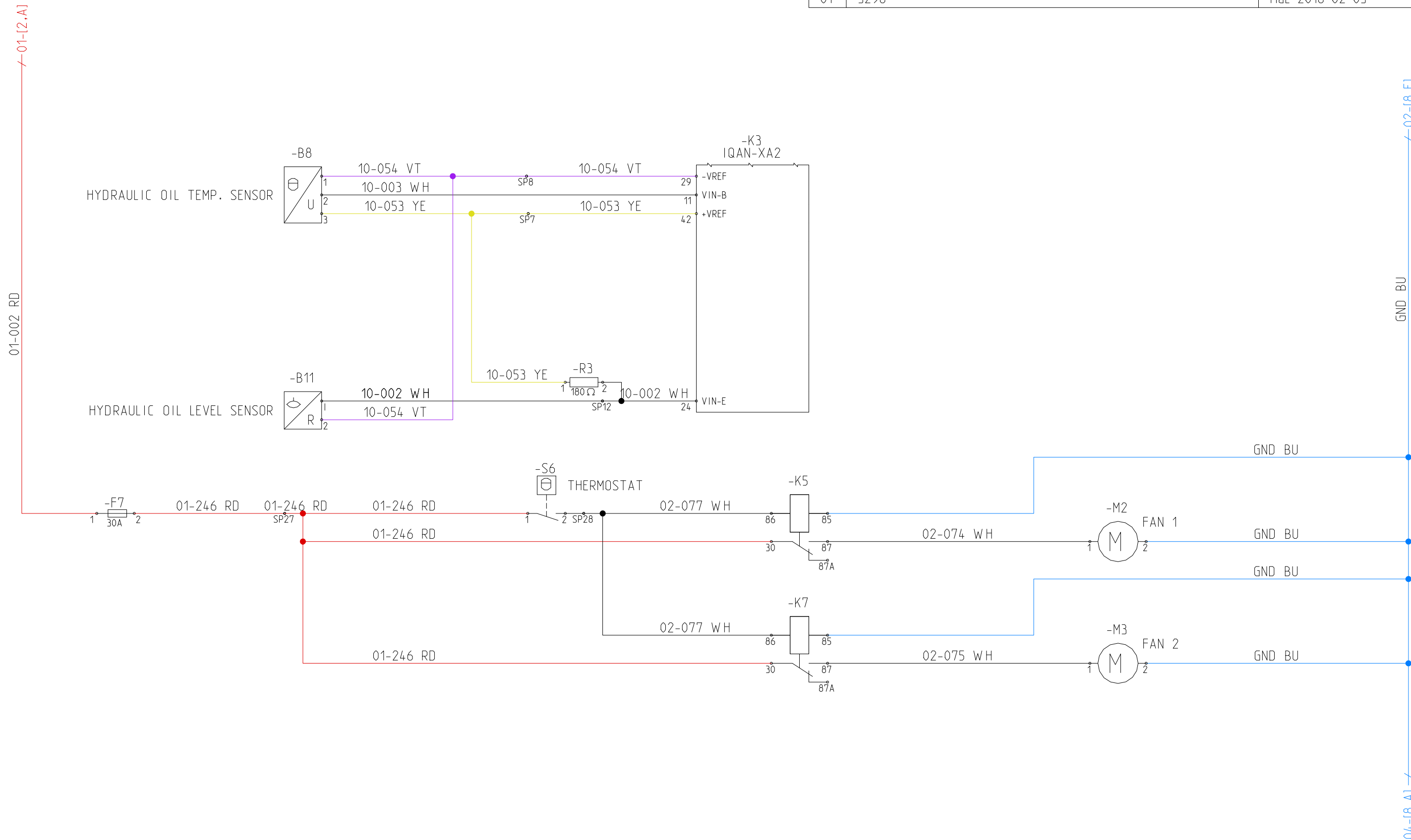


This document is the property of Rimaster Development AB and must not be used for any other purpose without the written approval of Rimaster Development AB. Copyright Rimaster Development AB 2011

Release Level Released (Intralink Ver. -)

DESIGNER	DRAWN	APPROVED BY	APPROVED DATE	GENERAL TOLERANCE	DRAWING TYPE	FORMAT	COMPUTER BASED	PROJECTION METHOD	SCALE
DBR	DBR	DBR	160203	-	Circuit	A3	RSDesigner		-
				<b>TITLE</b> <b>DIESEL ENGINE</b>					
<b>CUSTOMER</b> <b>CRANAB SLAGKRAFT</b>				<b>CUSTOMER REF</b> <b>CRAFT W 10</b>					
<b>DRAWING NO</b> <b>5018522</b>				<b>REVISION</b> <b>02</b>		<b>SHEET</b> <b>2(6)</b>			

REVISION	TYPE OF REVISION / REVISION NOTE	APPROVED BY - DATE
01	3296	MaL-2016-02-03

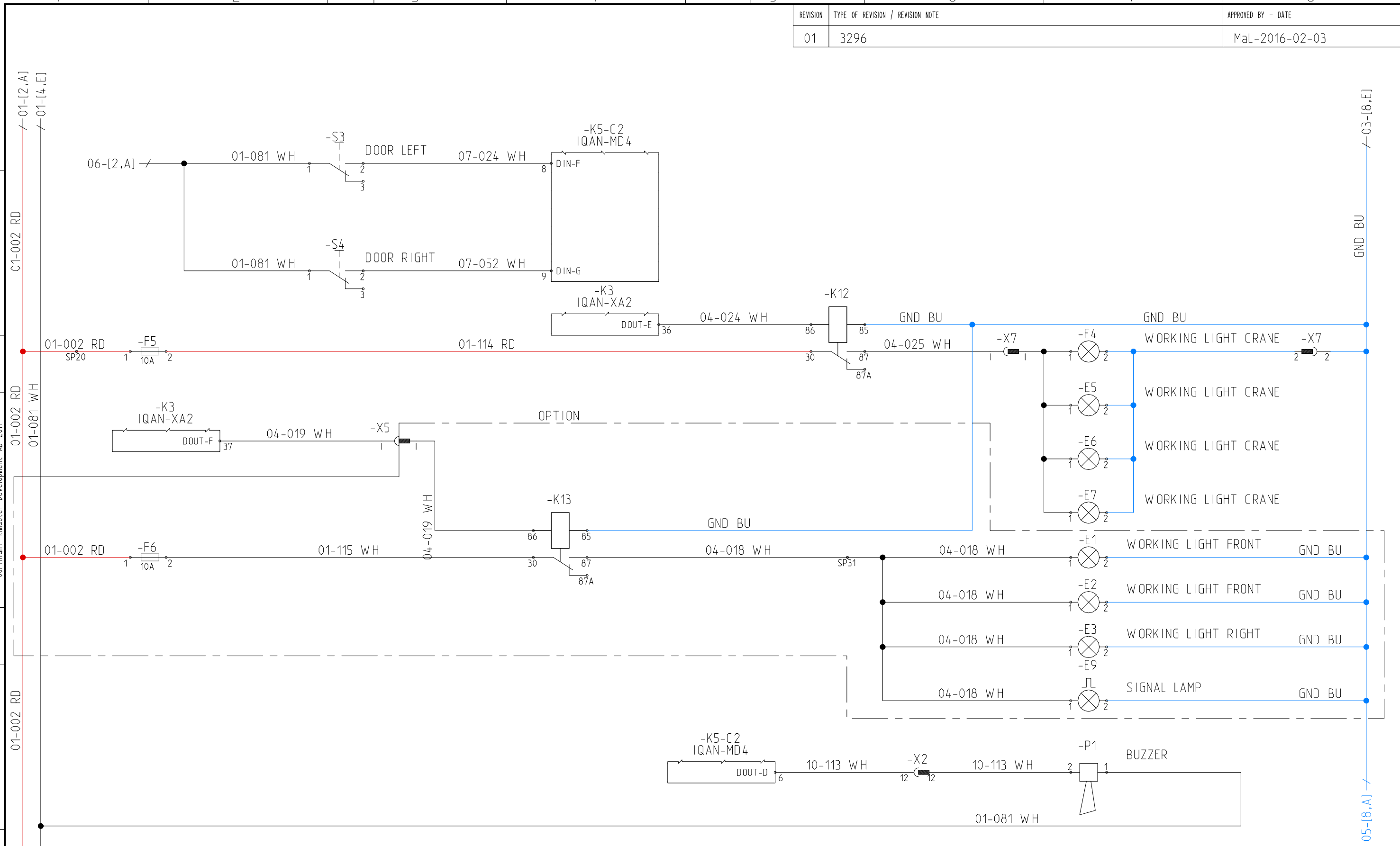


This document is the property of Rimaster Development AB and must not be used without Rimaster Development AB written approval. It is not to be copied, reproduced, or used for any other purpose. COPYRIGHT Rimaster Development AB 2011

Release Level Released (Intralink Ver. -)


DESIGNER	DRAWN	APPROVED BY	APPROVED DATE	GENERAL TOLERANCE	DRAWING TYPE	FORMAT	COMPUTER BASED	PROJECTION METHOD	SCALE
DBR	DBR	DBR	160203	-	Circuit	A3	RSDesigner		-
 RIMASTER DEVELOPMENT AB				TITLE <b>DIESEL ENGINE</b>					
				CUSTOMER <b>CRANAB SLAGKRAFT</b>				CUSTOMER REF <b>CRAFT W 10</b>	
				DRAWING NO <b>5018522</b>				REVISION <b>02</b>	

REVISION	TYPE OF REVISION / REVISION NOTE	APPROVED BY - DATE
01	3296	MaL-2016-02-03

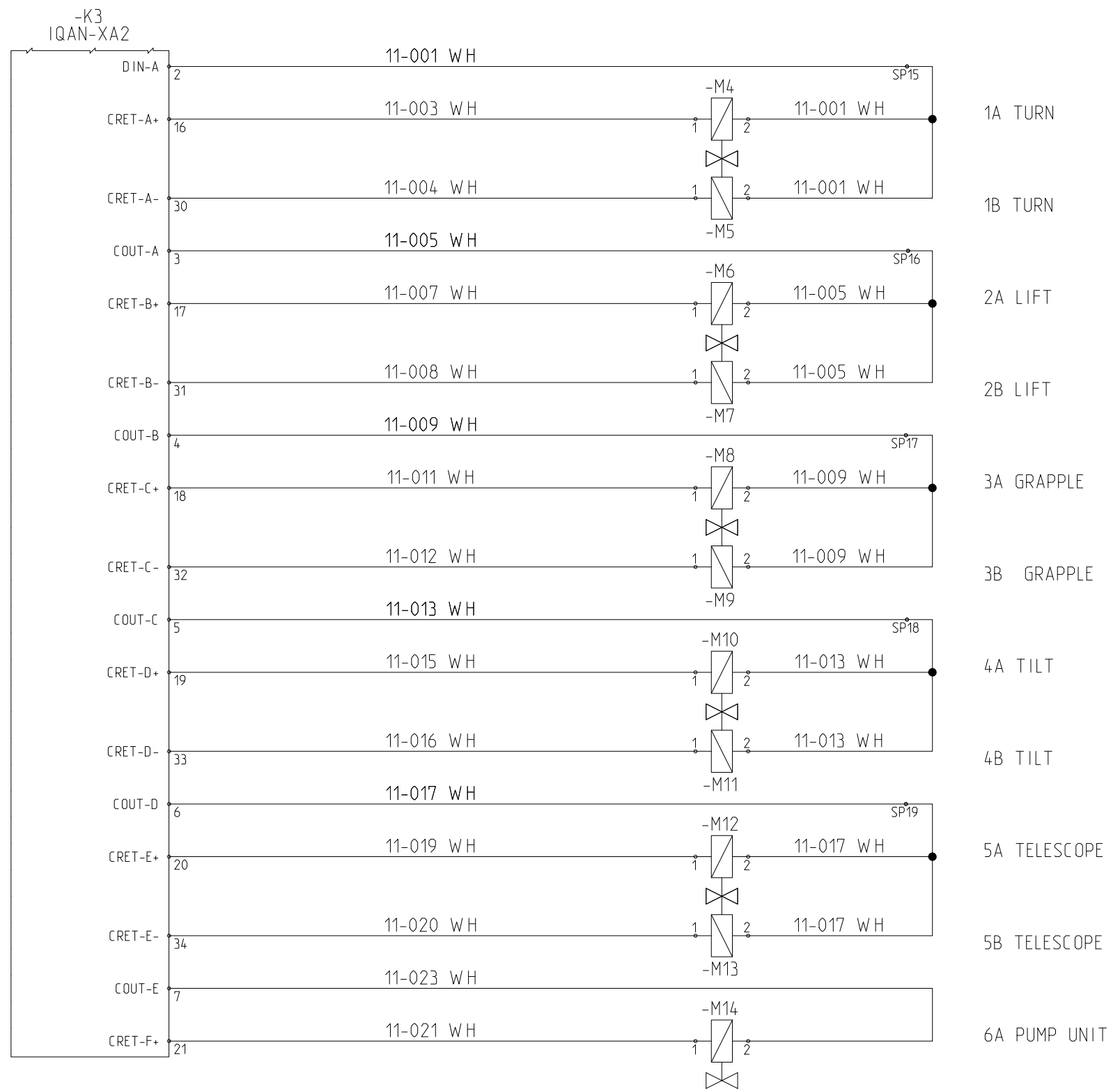


This document is the property of Rimaster Development AB and must not be used without written approval. It is not to be copied, reproduced, or used for any other purpose. COPYRIGHT Rimaster Development AB 2011

Release Level Released (Intralink Ver. -)

DESIGNER DBR	DRAWN DBR	APPROVED BY DBR	APPROVED DATE 160203	GENERAL TOLERANCE -	DRAWING TYPE Circuit	FORMAT A3	COMPUTER BASED RSDesigner	PROJECTION METHOD First Angle	SCALE -
 <b>RIMASTER DEVELOPMENT AB</b>				<b>TITLE</b> LIGHTS, DOOR SWITCHES					
				<b>CUSTOMER</b> CRANAB SLAGKRAFT			<b>CUSTOMER REF</b> CRAFT W 10		
				<b>DRAWING NO</b> 5018522			<b>REVISION</b> 02		<b>SHEET</b> 4(6)

REVISION	TYPE OF REVISION / REVISION NOTE	APPROVED BY - DATE
01	3296	MaL-2016-02-03



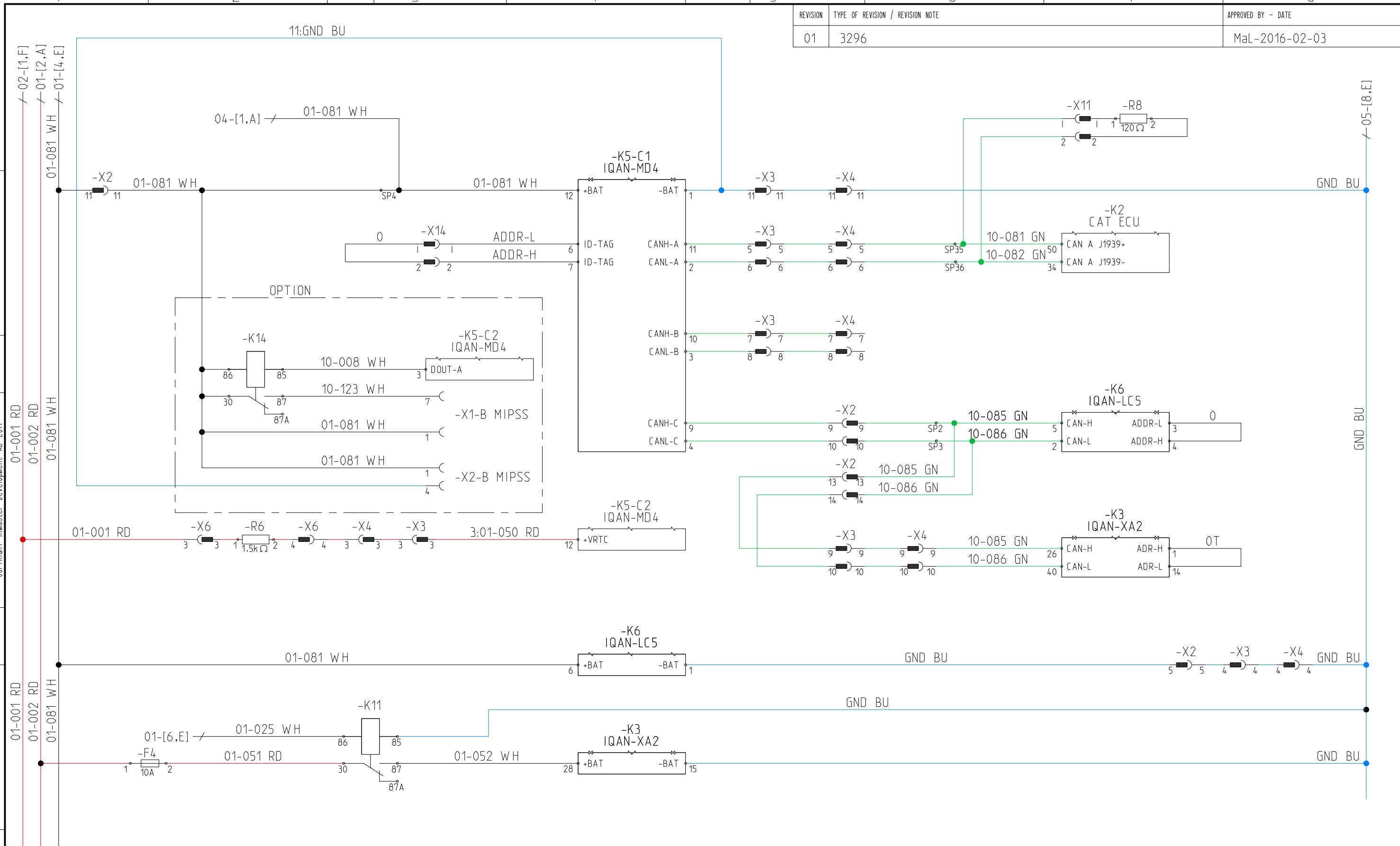
This document is the property of Rimaster Development AB  
 and must not without Rimaster Development AB written approval be copied,  
 imprinted, reproduced or be used for any other unauthorized purpose.  
 COPYRIGHT Rimaster Development AB 2011

Release Level Released  
 (Intralink Ver. - )

DESIGNER	DRAWN	APPROVED BY	APPROVED DATE	GENERAL TOLERANCE	DRAWING TYPE	FORMAT	COMPUTER BASED	PROJECTION METHOD	SCALE
DBR	DBR	DBR	160203	-	Circuit	A3	RSDesigner		-
 <b>rimaster</b> RIMASTER DEVELOPMENT AB				<b>WORKING HYDRAULICS</b>					
				CUSTOMER <b>CRANAB SLAGKRAFT</b>			CUSTOMER REF <b>CRAFT W 10</b>		
				DRAWING NO <b>5018522</b>			REVISION <b>02</b>		SHEET <b>5(6)</b>

04-[B,E] / 06-[B,A] / GND BU

REVISION	TYPE OF REVISION / REVISION NOTE	APPROVED BY - DATE
01	3296	MaL-2016-02-03



This document is the property of Rimaster Development AB and must not without Rimaster Development AB written approval be copied, reproduced, or used for any other unauthorized purpose. COPYRIGHT Rimaster Development AB 2011

Release Level Released (Intralink Ver. -)

DESIGNER	DRAWN	APPROVED BY	APPROVED DATE	GENERAL TOLERANCE	DRAWING TYPE	FORMAT	COMPUTER BASED	PROJECTION METHOD	SCALE			
DBR	DBR	DBR	160203	-	Circuit	A3	RSDesigner		-			
 RIMASTER DEVELOPMENT AB				TITLE			CUSTOMER REF					
				CAN-BUS, J1939						CRAFT W 10		
				CRANAB SLAGKRAFT						REVISION SHEET		
DRAWING NO						5018522		02		6(6)		