



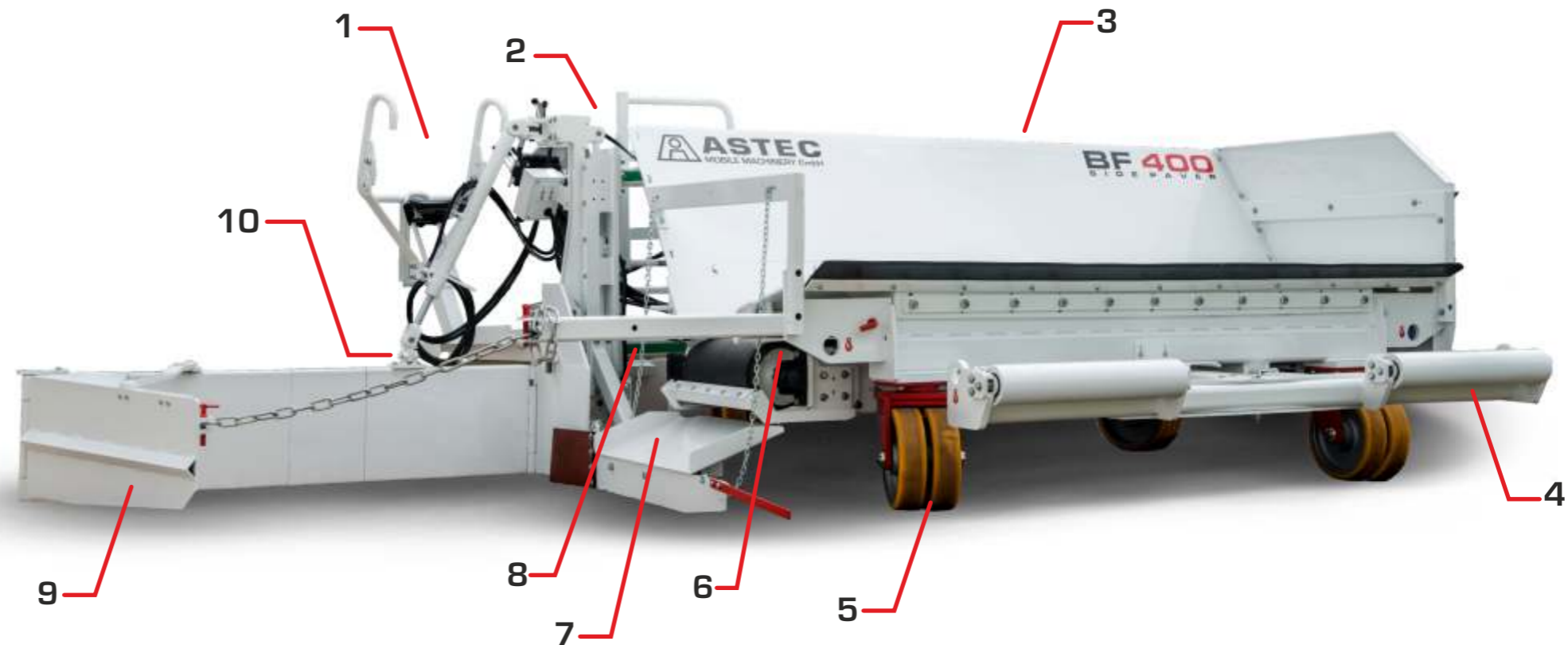
A maximum of power with a minimum of investment  
The economical solution for road construction companies

Roadbuilding, Mineral Processing, Drilling

an Astec Industries Company

EQUIPMENT

1. well-arranged operator platform with ergonomically designed control panel
2. disc broom for cleaning the pavement
3. powerful watercooled 3 cylinder turbulence chamber four stroke suction diesel engine by Kubota
4. hydraulic adjustable truck push rollers
5. specific heavy duty wheels
6. conveyor belt (linen structure) special heat resistant up to 180°C
7. extendable material flow gate
8. hydraulic screed levelling
9. screed working width from 500 mm - 3.000 mm
10. slope adjustment hydraulically



GERMAN TECHNICAL EXCELLENCE



VERSATILE, ECONOMICAL AND EASY!

GERMAN TECHNICAL EXCELLENCE

### The Roadwidener / Side Paver

The BF 400 can be used for road widening, shoulder work, maintenance and repairs of roads and farm roads. All different types of soil, gravel, asphalt and lean concrete can be placed with the BF 400. Our conveyor belt is made with a special linen structure and it is heat resistant up to 180°C. The road surface level functions as a reference for the material placement. Down grade, height and width can be adjusted by hydraulically.



robust and solid design, wide working width

### Easy Operation

The operator of the BF 400, is well seated on the side of the machine, all hydraulic levers are in easy reach, a perfect view to the working area to control the material flow, the degree of inclination +/- 15 degree, underfloor and above floor paving, in other words he is close to the action.

The material hopper of the BF 400 is wide enough to receive all sizes of trucks. Hydraulically extendable truck pushing rollers adjust easy to different truckbed bodies. The hydraulically extendable screed has a working width from 0-2.0 m (optional 3.0m) and can also pave 300 mm below surface. Depending on the layer thickness the laydown speed is between 15-50 m/min.

Many contractors around the world see the exceptional advantages of the BF 400. A multi talent machine for drive ways, road extensions, road side banks, canal fill backs etc..



Road extension with 2m working width - capacity for 400 to per hour



excellent material flow

### Powerful and Maintenance-Free

The BF 400 weighs 3.8 tons and is a heavyweight with perfect stability and a high lay down capacity of 400t/hr. Practical and versatile. Low maintenance intervals and from time to time a retension of the conveyor belt is required. The BF 400 is fitted with a powerful, watercooled 3-cylinder Kubota Diesel engine and a Sauer Danfoss hydraulic system. All functions are fully hydraulically. The best choice to push and steer the roadwidener is a wheel loader, reachtruck, tractor or similar.



excellent sound insulation

### Profitable

The BF 400 is the most suitable machine to carry out all road side jobs more economically and in shorter time than any other equipment. Investment costs are low. Any wheel loader can be used, preferably not below 80 kW. The roadwidener is easily connected by an adapter plate with the pushing machine. No additional power is necessary. Arrived on the job site the road widener is ready for work within a few minutes. The conveyor belt pushes the material directly to the road side. Simple and economical and the operator controls the flow and volume.

### Technical data BF 400

Measurements mm



#### Material handling

All earth-, sand- and asphalt materials

#### Optional accessories

- yellow beacon
- hydraulic broom
- extra paving width
- extra paving depth
- mirrors
- adapter plate for wheel loader

Weight	kg	3.800
Width	mm	3.600
Height	mm	2.470
Depth	mm	1.700
Engine	Kubota DIESEL	watercooled
Power	kW/PS	18,7/25
Feeding height	mm	600
Paving width	mm	0 - 2.000
Depth below 0	mm	+/- 300
Slope degree		+/- 15°
Traverse side hub	mm	300
Wheels		8 x Vulcolan heavy duty
Hot asphalt belt		- 180° C
Belt speed		hydraulically adjustable
Adapter for push equip.		hydraulically adjustable

MADE IN GERMANY

# BF 400 IN ACTION



rapid material placing with flow control



road extension with 2m working width



good overview



big hopper carries 4,0to of material - easy operation, fast and economical

# READY SHOULDER - DONE BY BF 400



slide slope individually adjustable

# NEW OPTION BF 400 : truck hook connection



towing hook



the towing hook



coupling with truck



easy connect



additional control element to regulate the height for connection with trucks.



Hydraulic foot for variable height adjustment.



**ASTEC MOBILE MACHINERY GmbH**

an Astec Industries Company

Freibusch 2-4 · D 31789 Hameln / Germany

OFFICE +49 (0) 5151 - 78 105 - 0  
FAX +49 (0) 5151 - 78 105 - 29

e-mail: [info@astec-europa.de](mailto:info@astec-europa.de)

[www.astec-europa.de](http://www.astec-europa.de)

Dealer / Distributor: